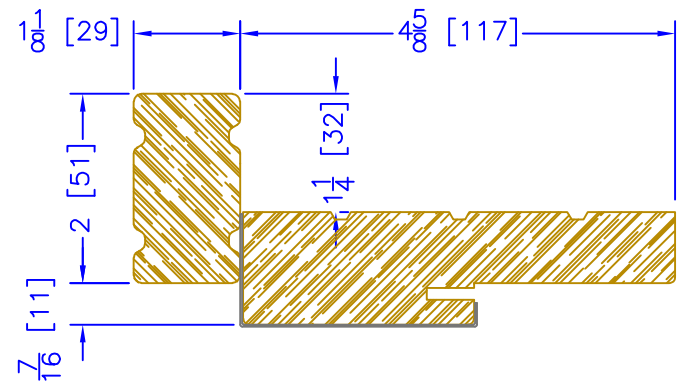
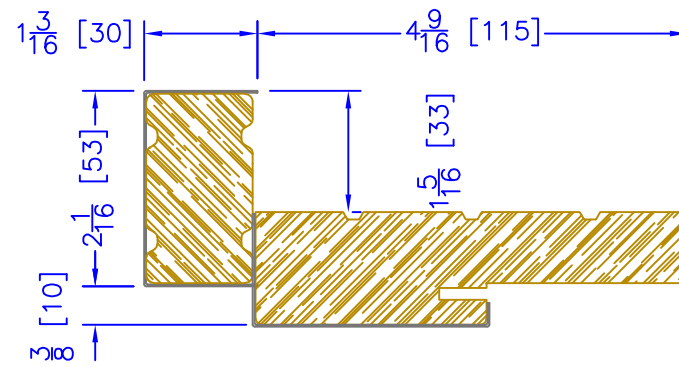


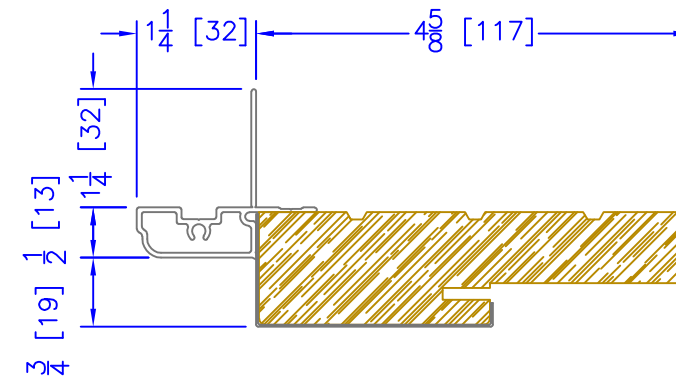
2" WOOD DOOR BM
(AVAILABLE w/ STORM DOOR PREP)
(N/A w/ SHAPES)



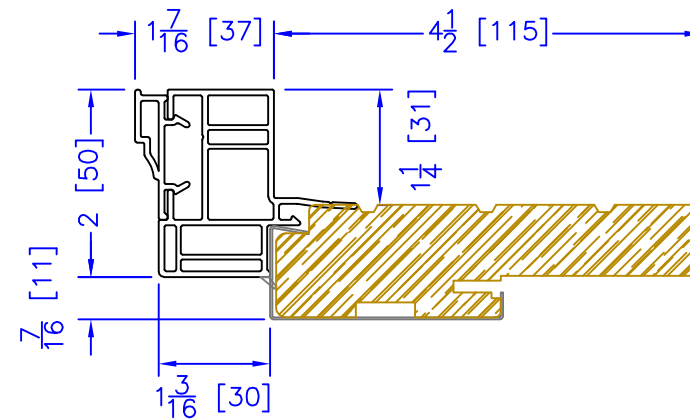
2" CLADED BM



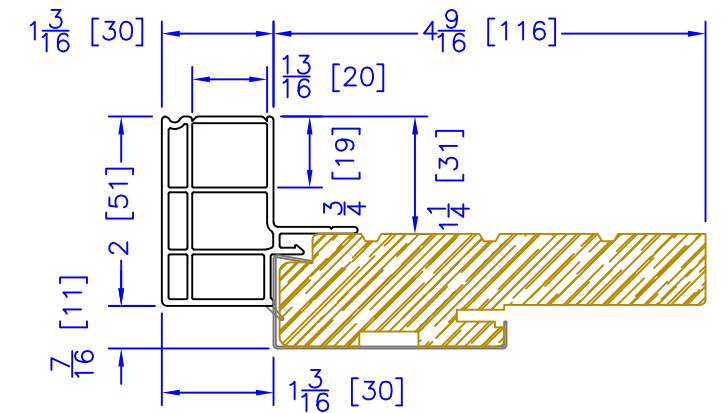
SLIM LINE BM



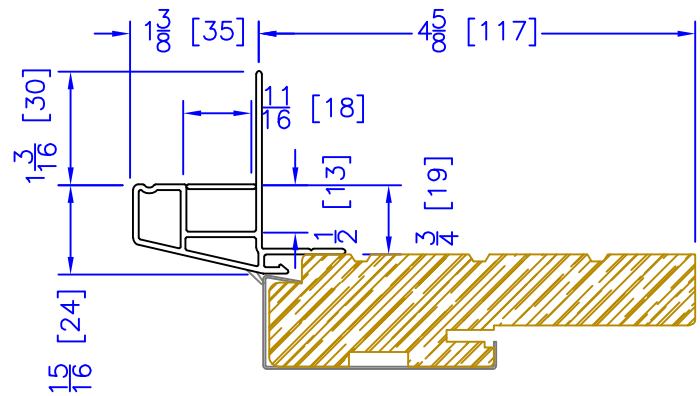
2" 2-PC DOOR BM
(AVAILABLE w/ STORM DOOR PREP)
(N/A w/ SHAPES)



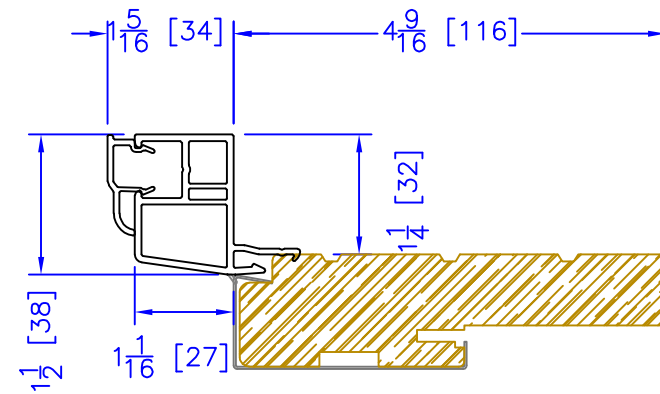
2" VINYL DOOR BM
(AVAILABLE w/ STORM DOOR PREP)
(N/A w/ SHAPES)



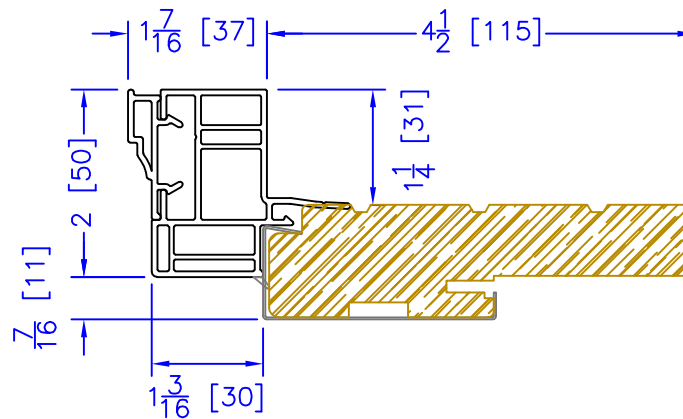
7/8" BM/J-TRIM



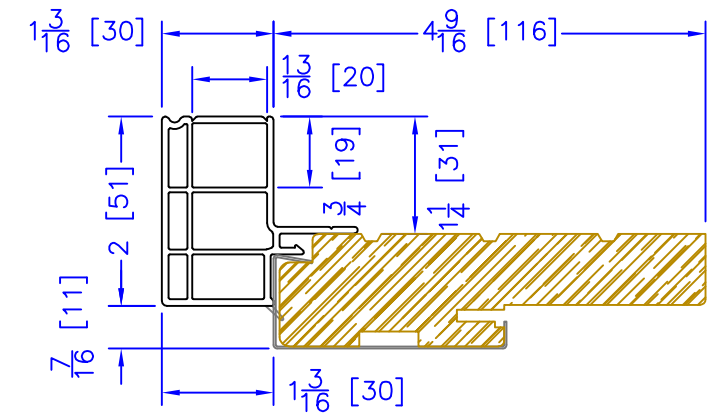
1 1/2" RENO



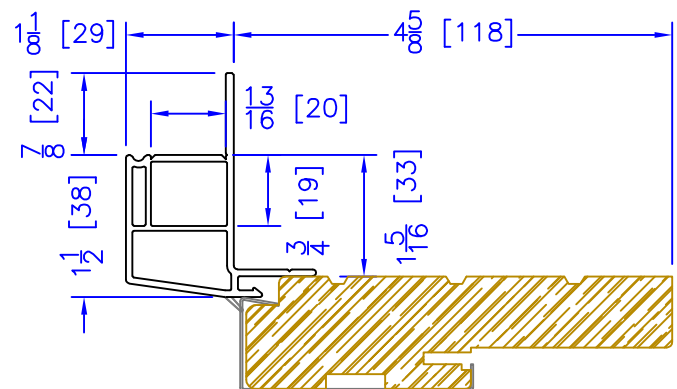
2" 2-PC DOOR BM
(AVAILABLE w/ STORM DOOR PREP)
(N/A w/ SHAPES)



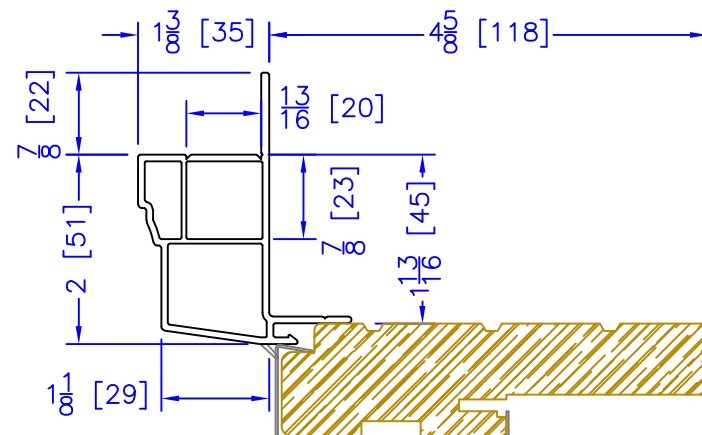
2" VINYL DOOR BM
(AVAILABLE w/ STORM DOOR PREP)
(N/A w/ SHAPES)



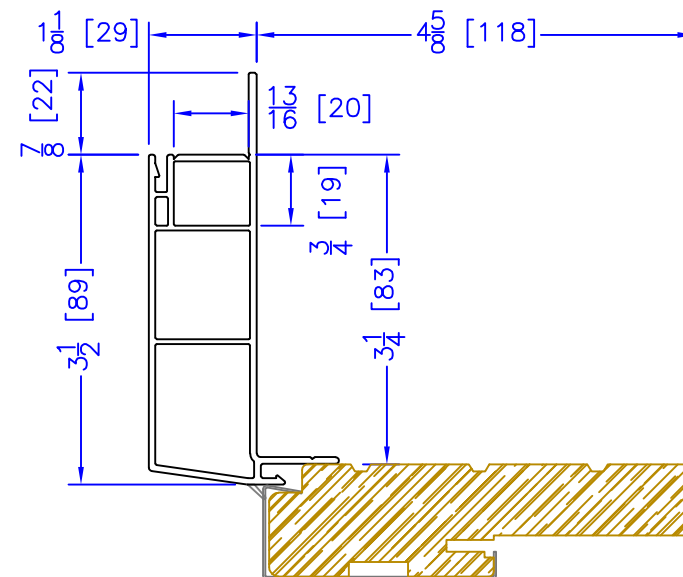
1-1/2" BM/J-TRIM



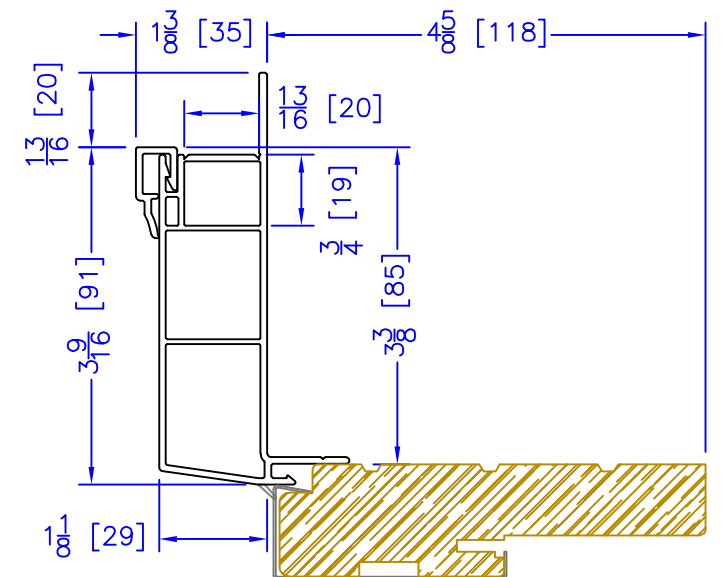
2" 180 BM/J-TRIM



3-1/2" BM/J-TRIM



3-1/2" 180 BM/J-TRIM



ADD 2" TO FRAME DEPTH FOR 6 3/8" FRAMES
ALL OTHER OFFSETS ARE THE SAME FOR THE 6 3/8" & CUSTOM DEPTH FRAMES