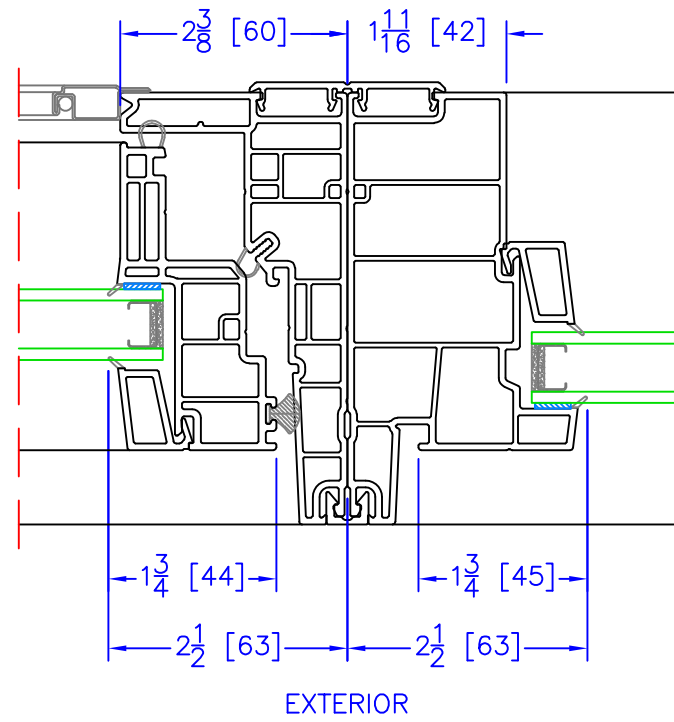
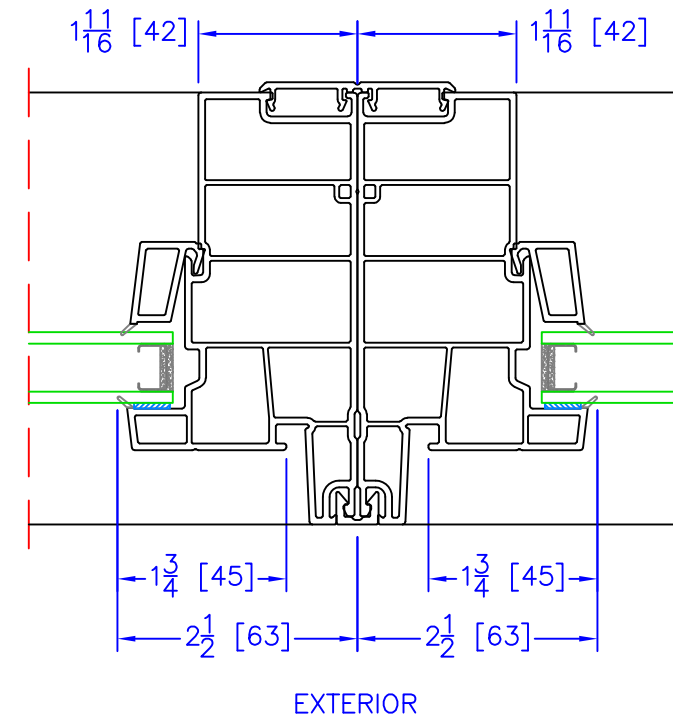


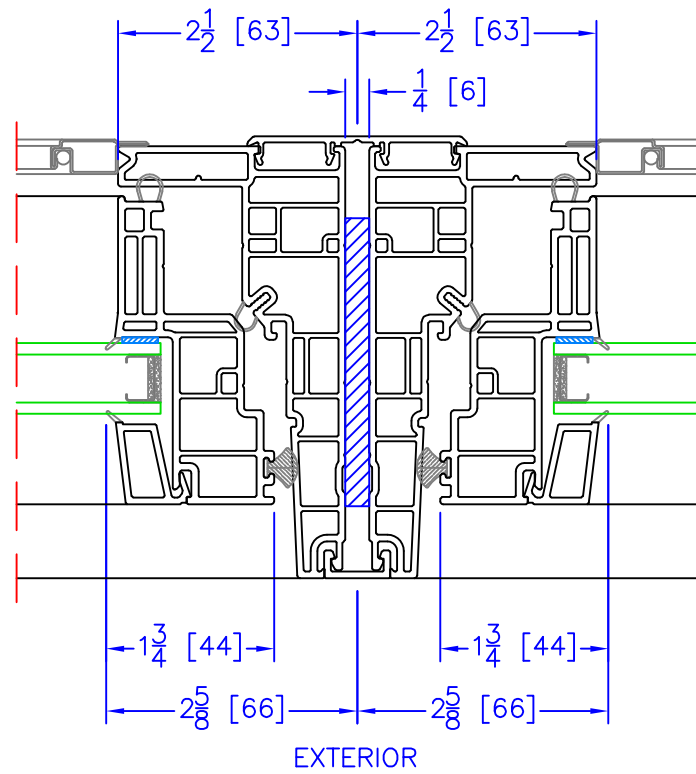
OPERATOR/OPERATOR
VERTICAL/HORIZONTAL MULLION



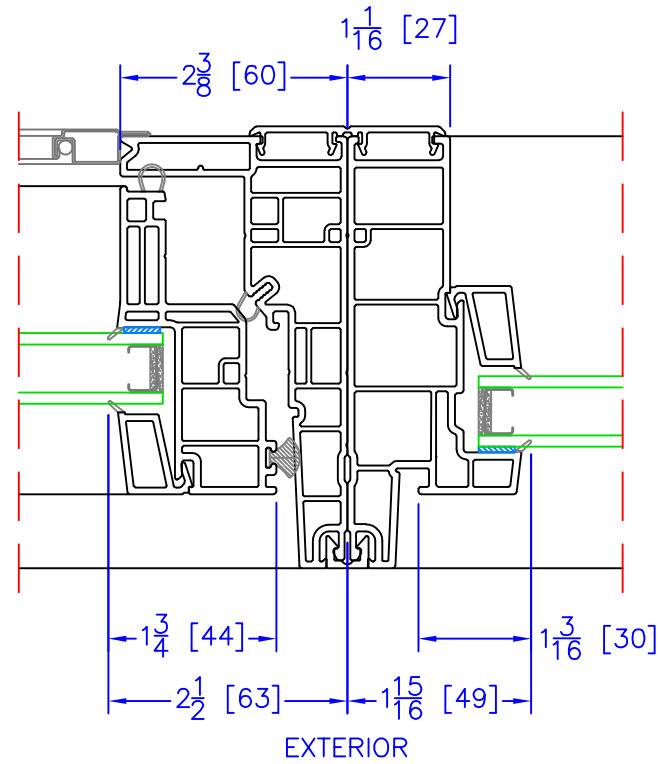
OPERATOR/WIDE PICTURE (PW)
VERTICAL/HORIZONTAL MULLION



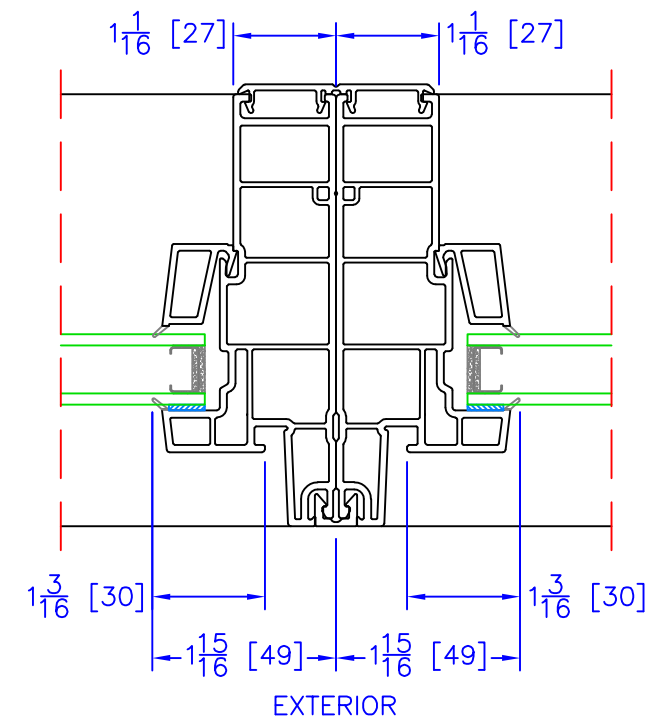
WIDE PICTURE (PW)/WIDE PICTURE (PW)
VERTICAL/HORIZONTAL MULLION



OPERATOR/OPERATOR
VERTICAL/HORIZONTAL REINFORCEMENT MULLION



OPERATOR/NARROW PICTURE (PN)
VERTICAL/HORIZONTAL MULLION



NARROW PICTURE (PN)/NARROW PICTURE (PN)
VERTICAL/HORIZONTAL MULLION

NOTE: REINFORCEMENT IS INSTALLED
WHEN STRUCTURALLY REQUIRED