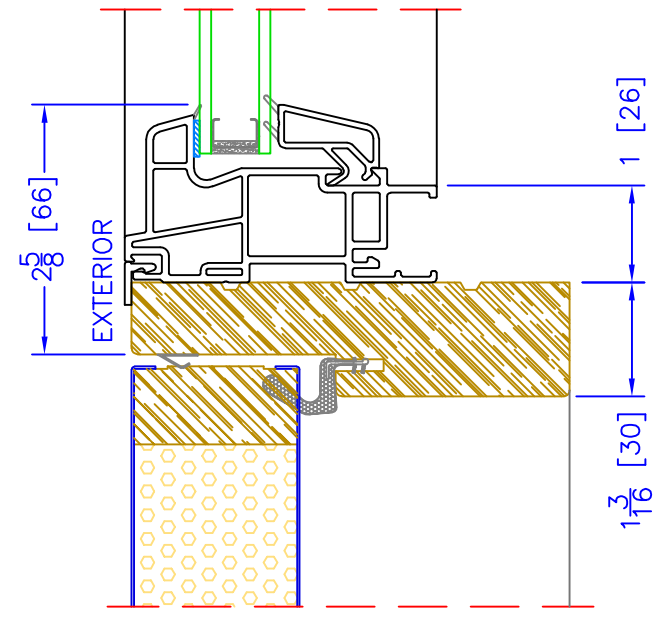
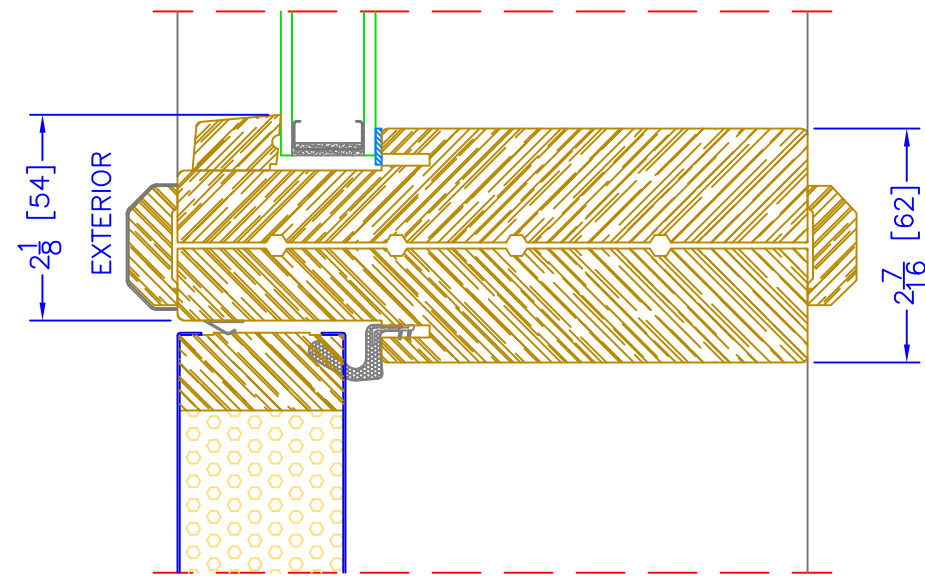


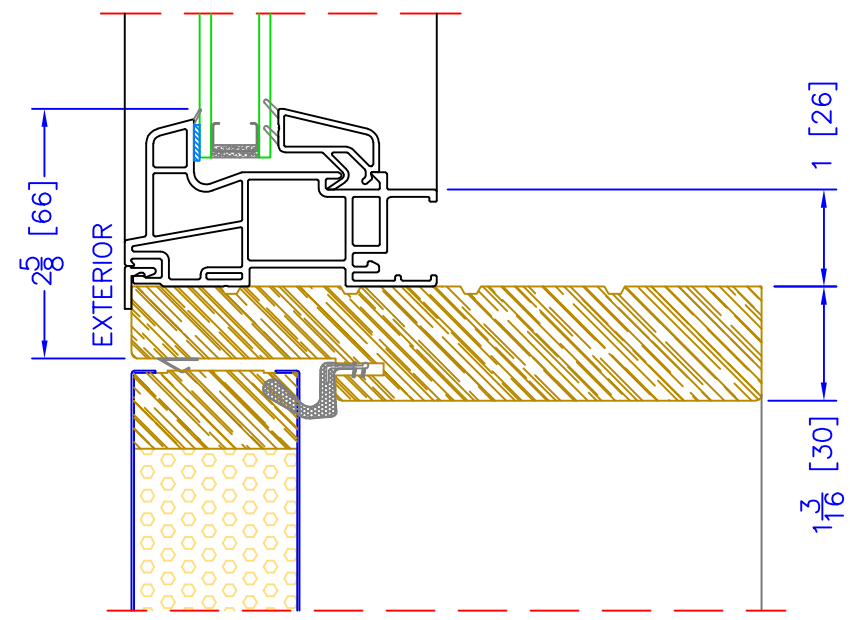
4 5/8" OUTSWING TRANSON o/ OPERATOR
HORIZONTAL MULLION



4 5/8" OUTSWING SHAPE o/ OPERATOR
HORIZONTAL MULLION



6 5/8" OUTSWING TRANSON o/ OPERATOR
HORIZONTAL MULLION



6 5/8" OUTSWING SHAPE o/ OPERATOR
HORIZONTAL MULLION