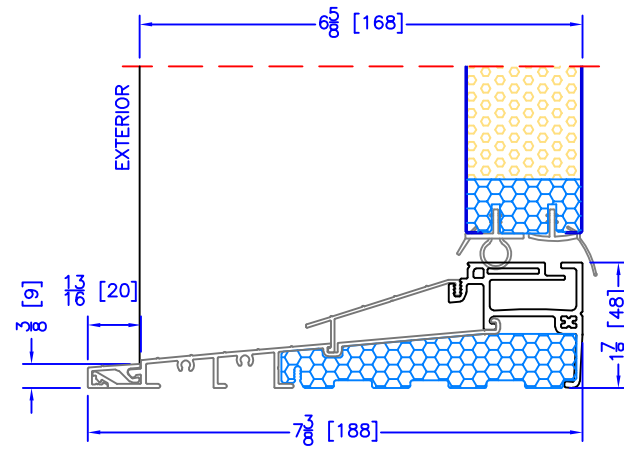
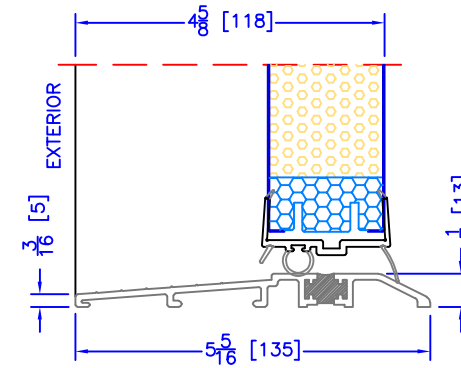


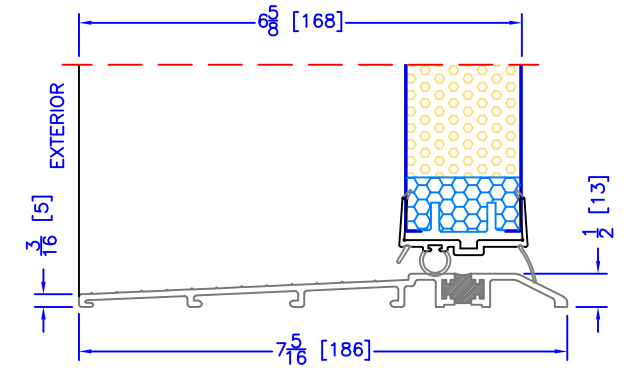
4 5/8" INSWING HIGH PERFORMANCE SILL
CLOSE-OUT EXTENSION
(USED WITH PLAIN FRAME)



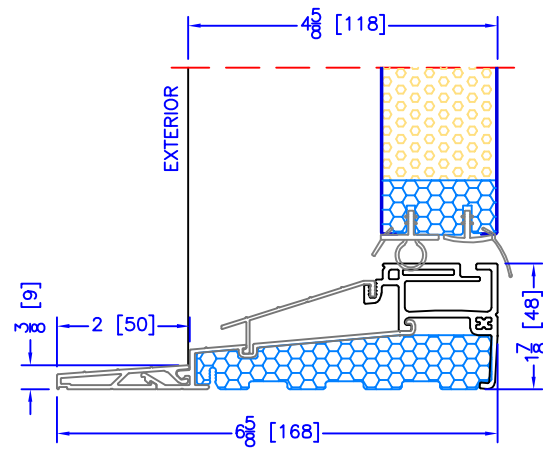
6 5/8" INSWING HIGH PERFORMANCE SILL
CLOSE-OUT EXTENSION
(USED WITH PLAIN FRAME)



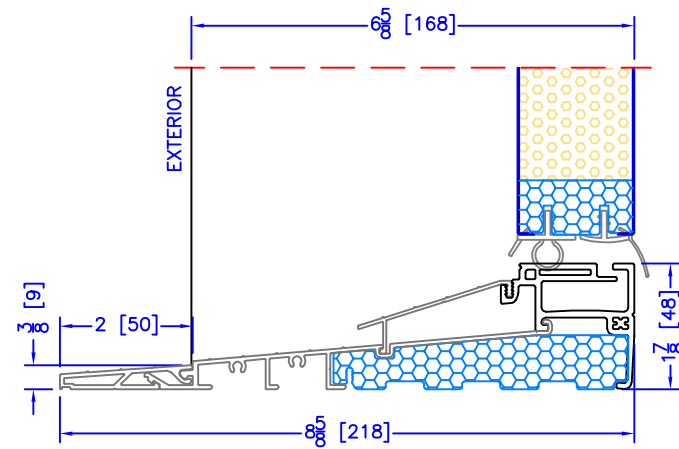
4 5/8" INSWING ASSISTED LIVING SILL



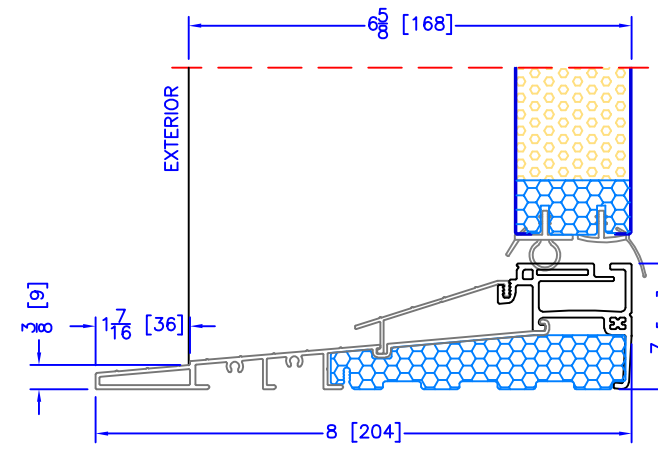
6 5/8" INSWING ASSISTED LIVING SILL



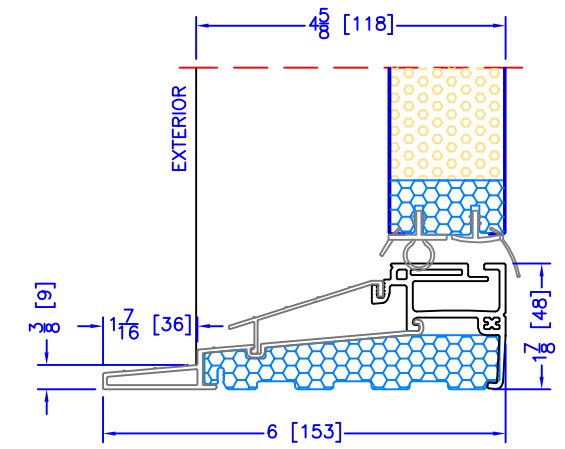
4 5/8" INSWING HIGH PERFORMANCE SILL
2 PC ALUMINUM (2" EXT)
(USED WITH ALL OTHER EXTERIOR OPTIONS)



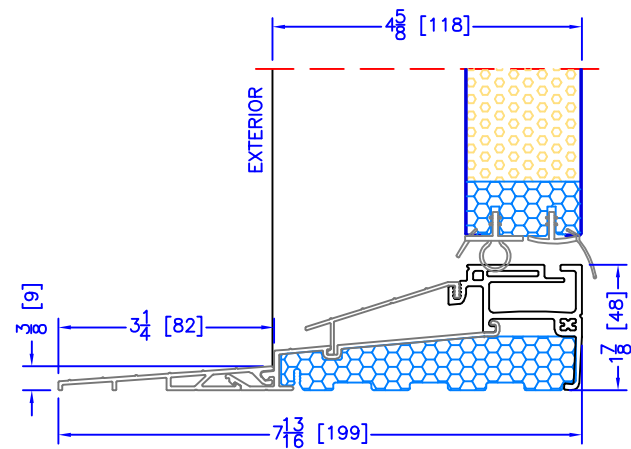
6 5/8" INSWING HIGH PERFORMANCE SILL
2 PC ALUMINUM (2" EXT)
(USED WITH ALL OTHER EXTERIOR OPTIONS)



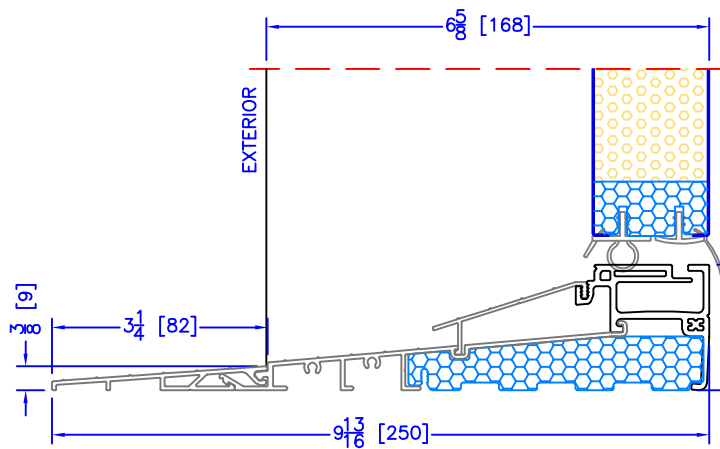
6 5/8" INSWING HIGH PERFORMANCE SILL
1 PC ALUMINUM
(USED WITH 2" DOOR BM'S/J-TRIM'S)



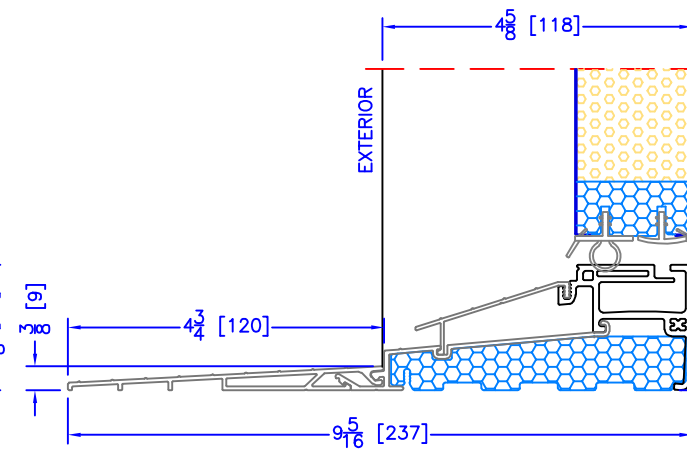
4 5/8" INSWING HIGH PERFORMANCE SILL
1 PC ALUMINUM
(USED WITH 2" DOOR BM'S/J-TRIM'S)



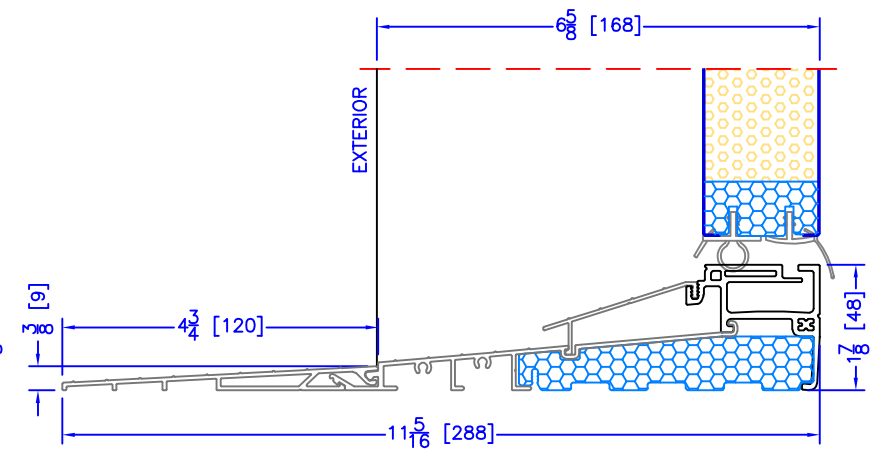
4 5/8" INSWING HIGH PERFORMANCE SILL
2 PC ALUMINUM (3 1/4" EXT)
(USED WITH FLUSH EXTENSION)



6 5/8" INSWING HIGH PERFORMANCE SILL
2 PC ALUMINUM (3 1/4" EXT)
(USED WITH FLUSH EXTENSION)



4 5/8" INSWING HIGH PERFORMANCE SILL
2 PC ALUMINUM (4 3/4" EXT)
(USED WITH 1 1/2" EXTENDED BM/J-TRIM)



6 5/8" INSWING HIGH PERFORMANCE SILL
2 PC ALUMINUM (4 3/4" EXT)
(USED WITH 1 1/2" EXTENDED BM/J-TRIM)