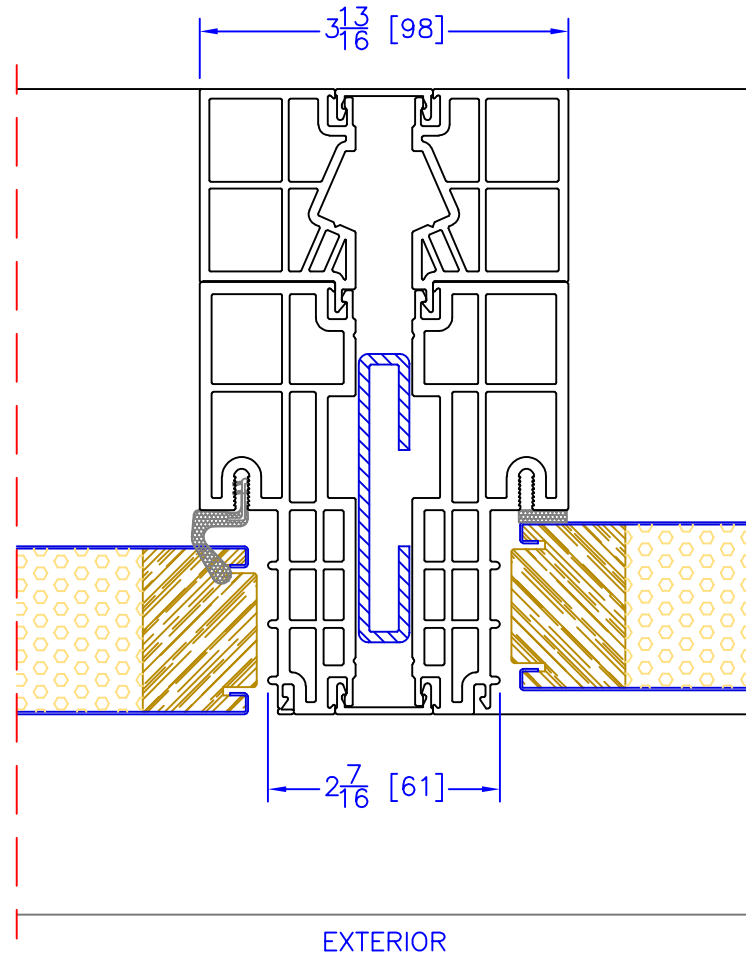


4 1/2" OUTSWING OPERATOR/SIDELITE  
VERTICAL MULLION



6 1/2" OUTSWING OPERATOR/SIDELITE  
VERTICAL MULLION