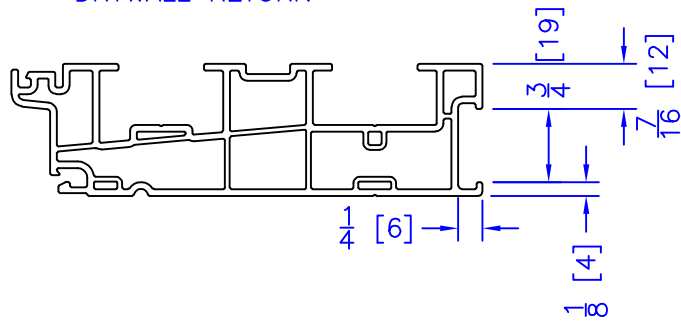
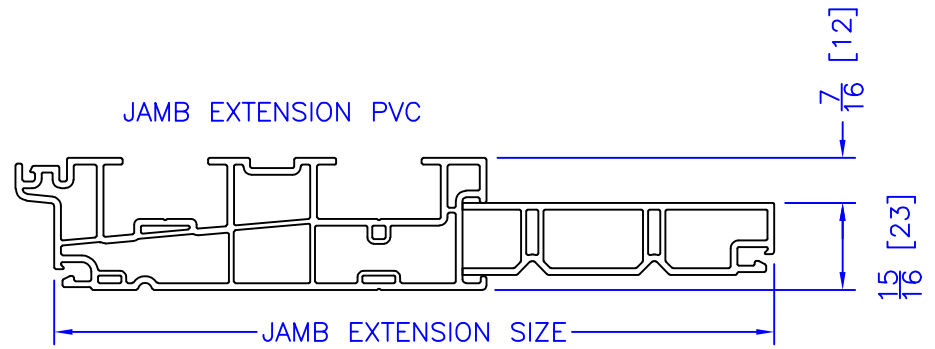


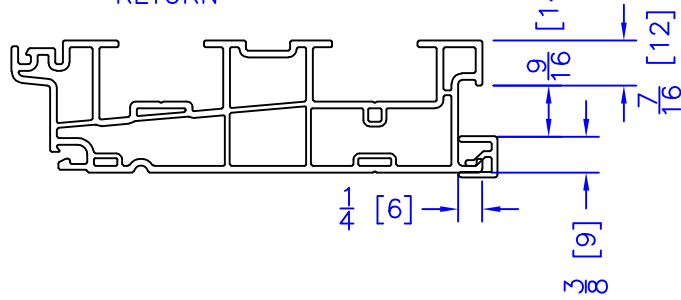
$\frac{3}{4}$ " INTEGRAL  
DRYWALL RETURN



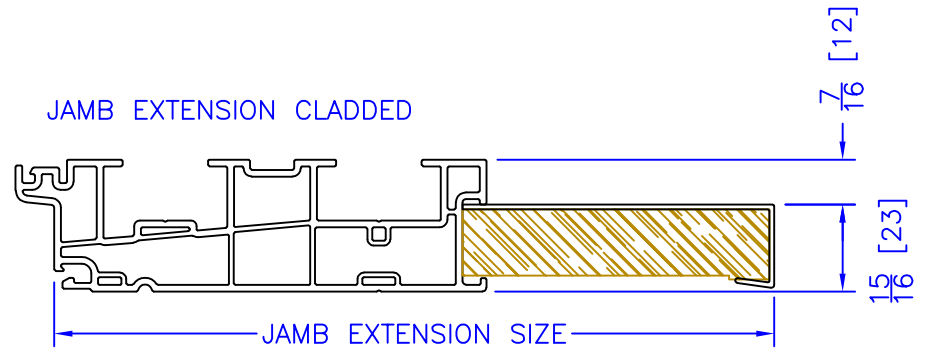
JAMB EXTENSION PVC



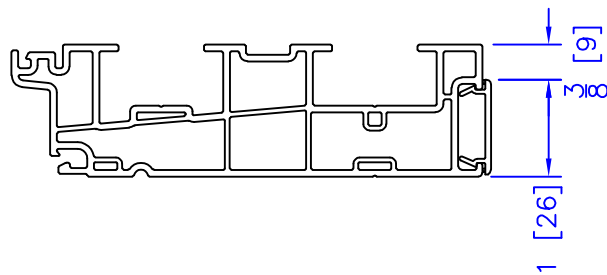
$\frac{1}{2}$ " DRYWALL  
RETURN



JAMB EXTENSION CLADDED



CLOSE-OUT  
STRIP



JAMB EXTENSION F/J, CLEAR, PRIMED

