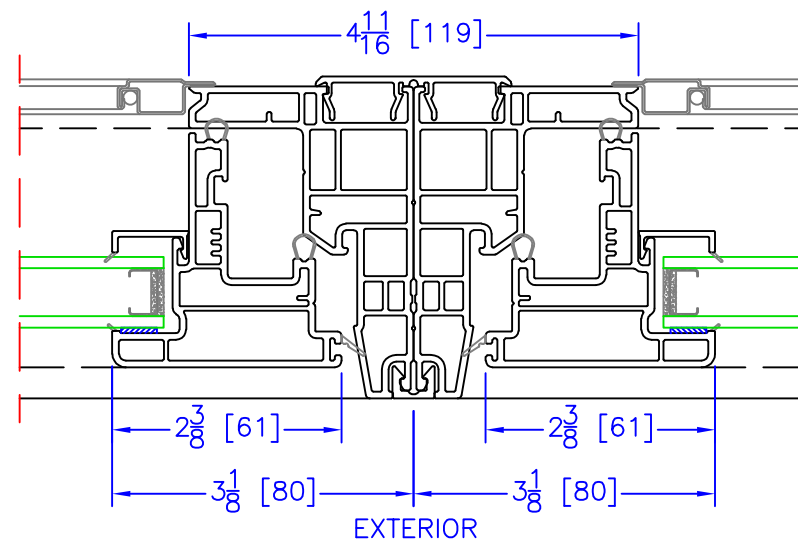
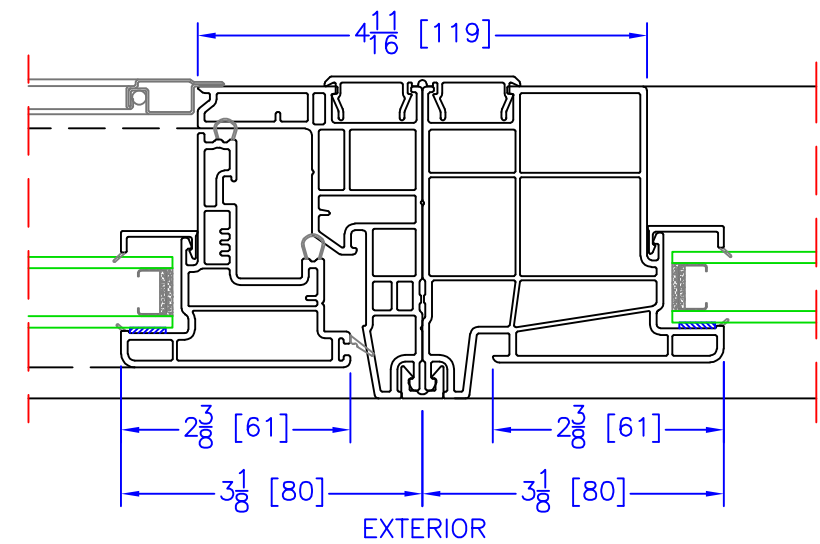


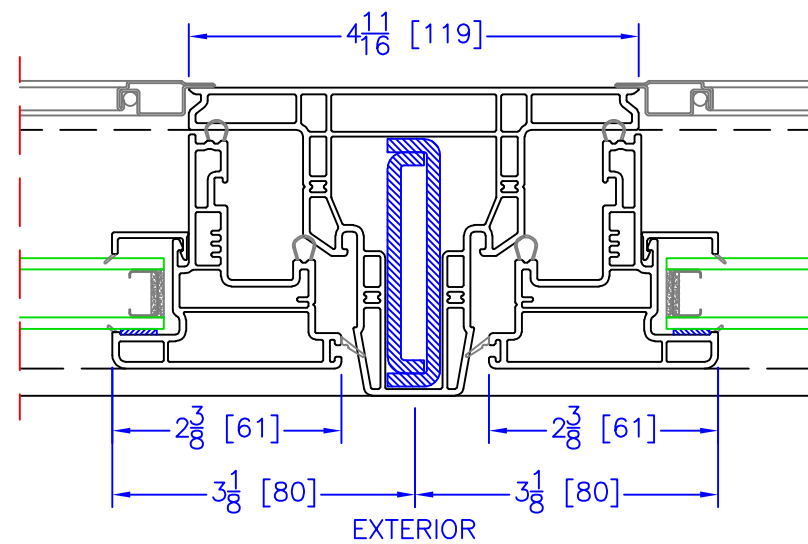
OPERATOR/OPERATOR  
VERTICAL/HORIZONTAL T-MULLION



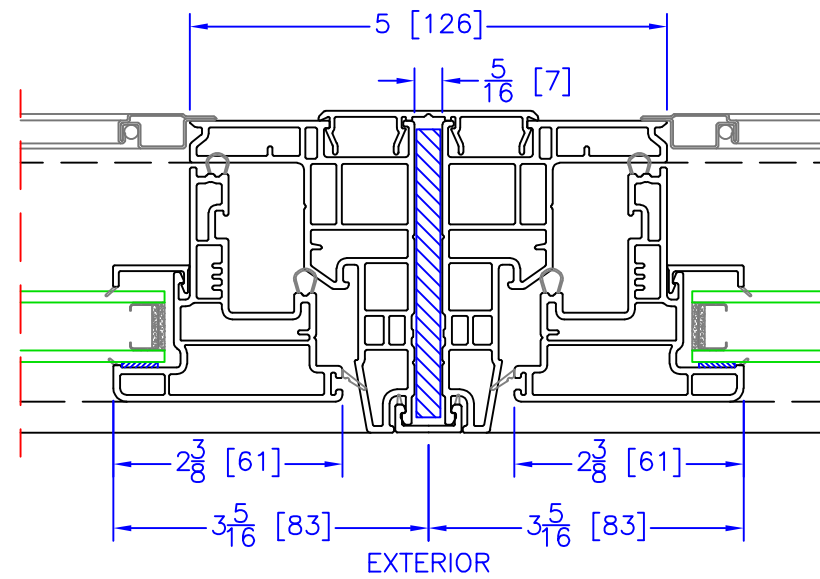
OPERATOR/OPERATOR  
VERTICAL/HORIZONTAL MULLION



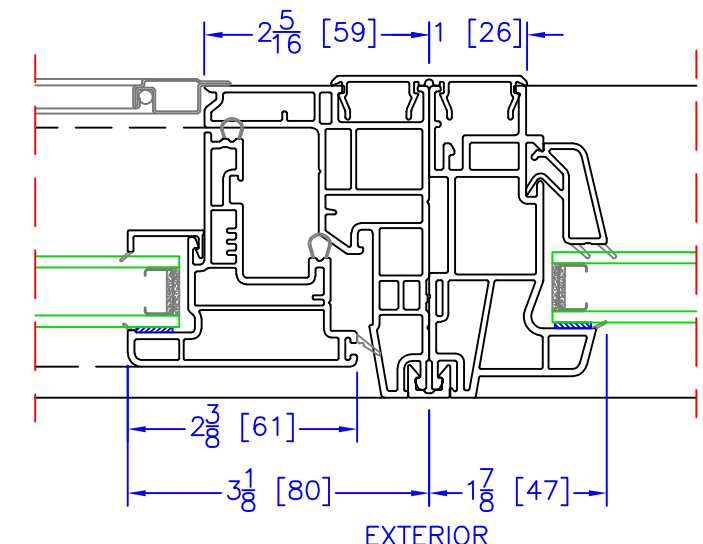
OPERATOR/WIDE PICTURE (PW)  
VERTICAL/HORIZONTAL MULLION



OPERATOR/OPERATOR  
VERTICAL/HORIZONTAL OPT-MULLION



OPERATOR/OPERATOR  
VERTICAL/HORIZONTAL REINFORCEMENT MULLION



OPERATOR/NARROW PICTURE (PN)  
VERTICAL/HORIZONTAL MULLION

NOTE: REINFORCEMENT IS INSTALLED  
WHEN STRUCTURALLY REQUIRED