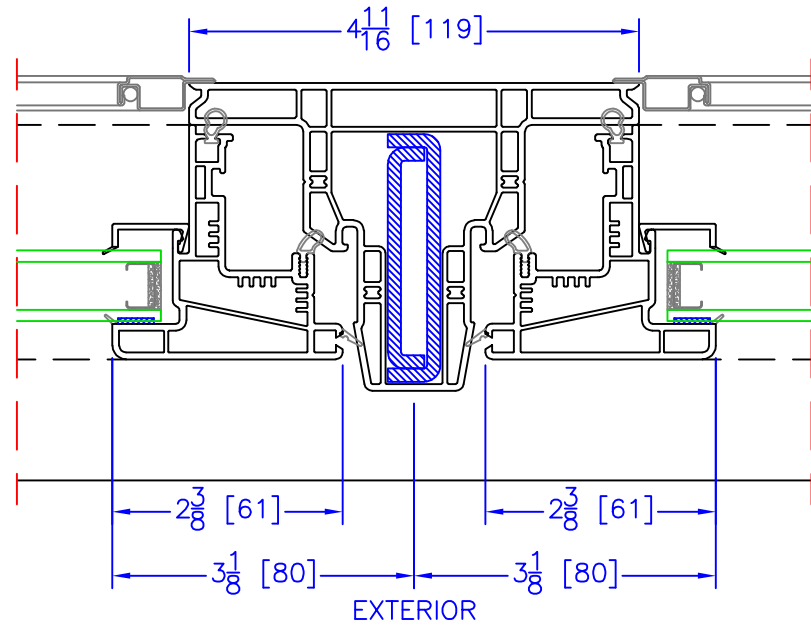


OPERATOR/OPERATOR  
VERTICAL/HORIZONTAL T-MULLION



OPERATOR/OPERATOR  
VERTICAL/HORIZONTAL OPT-MULLION

NOTE: REINFORCEMENT IS INSTALLED  
WHEN STRUCTURALLY REQUIRED