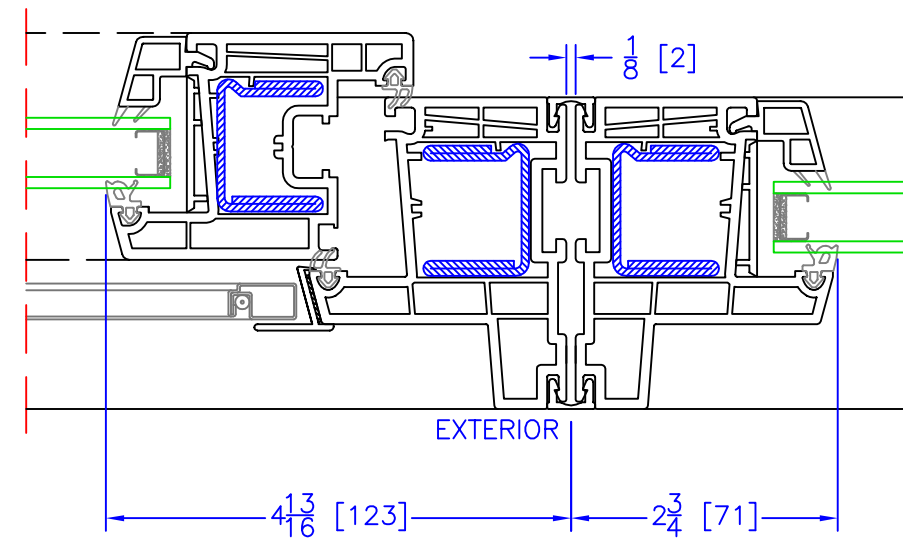
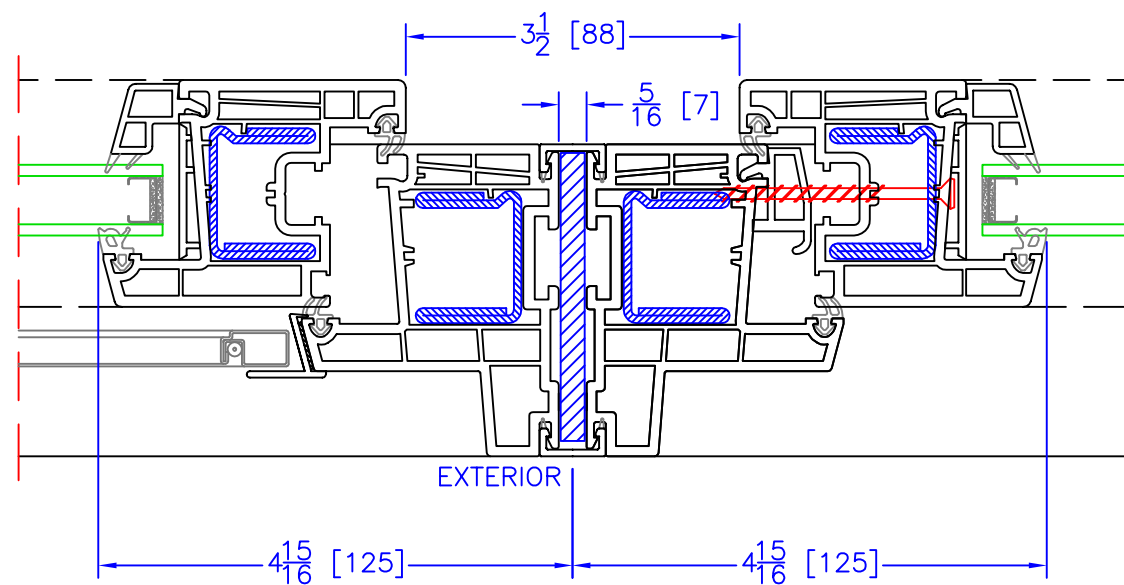


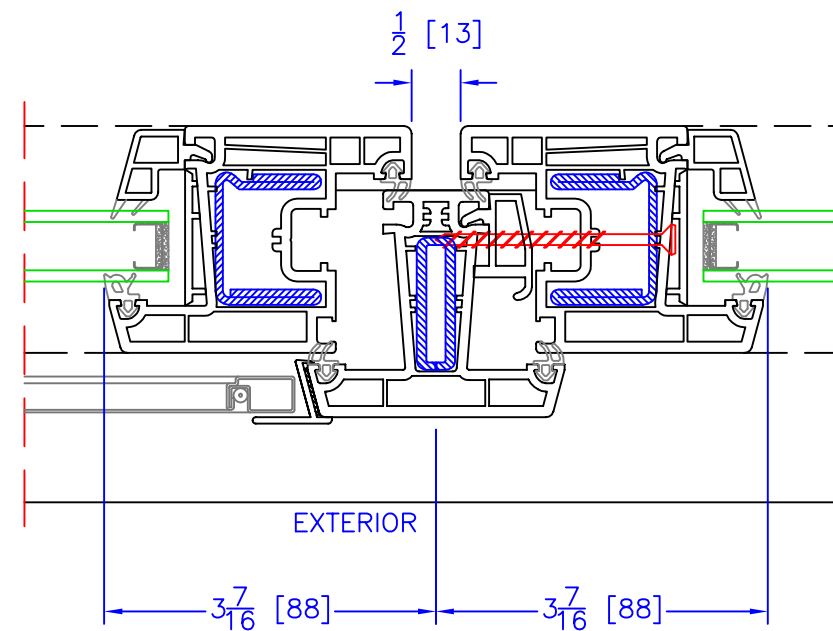
OPERATOR/FIXED SASH  
VERTICAL/HORIZONTAL MULLION



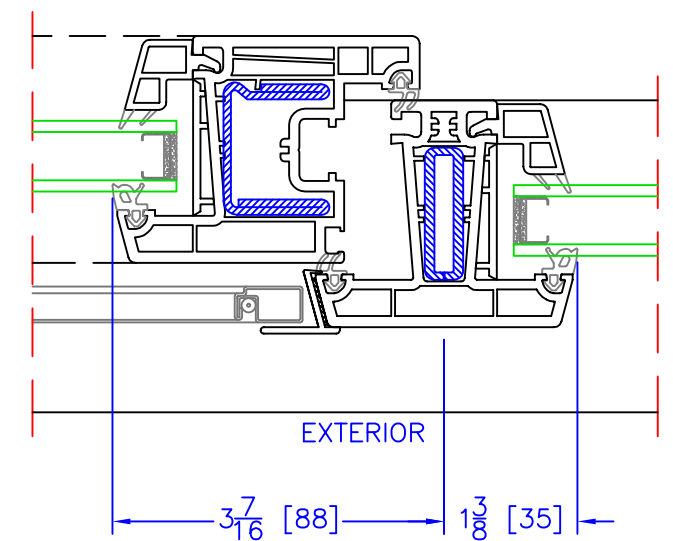
OPERATOR/PICTURE WINDOW  
VERTICAL/HORIZONTAL MULLION



OPERATOR/FIXED SASH  
VERTICAL/HORIZONTAL REINFORCEMENT MULLION



OPERATOR/FIXED SASH  
VERTICAL/HORIZONTAL T-MULLION



OPERATOR/PICTURE WINDOW  
VERTICAL/HORIZONTAL T-MULLION

NOTE: REINFORCEMENT IS INSTALLED  
WHEN STRUCTURALLY REQUIRED