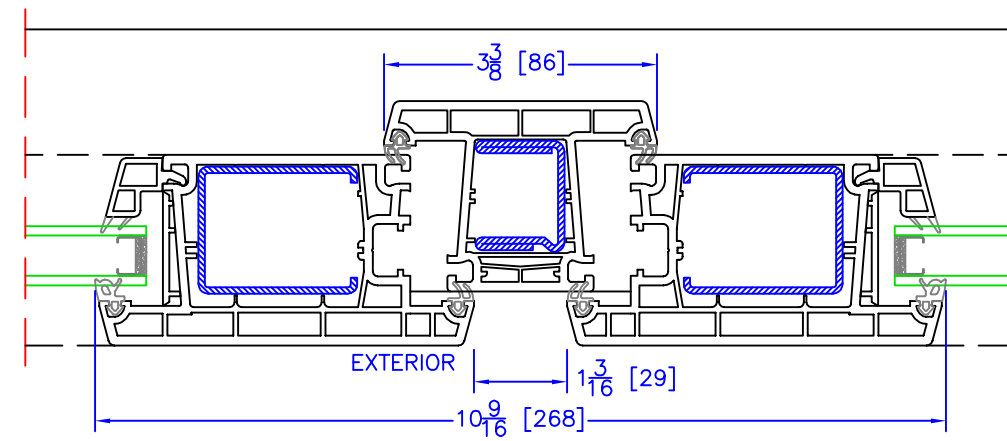
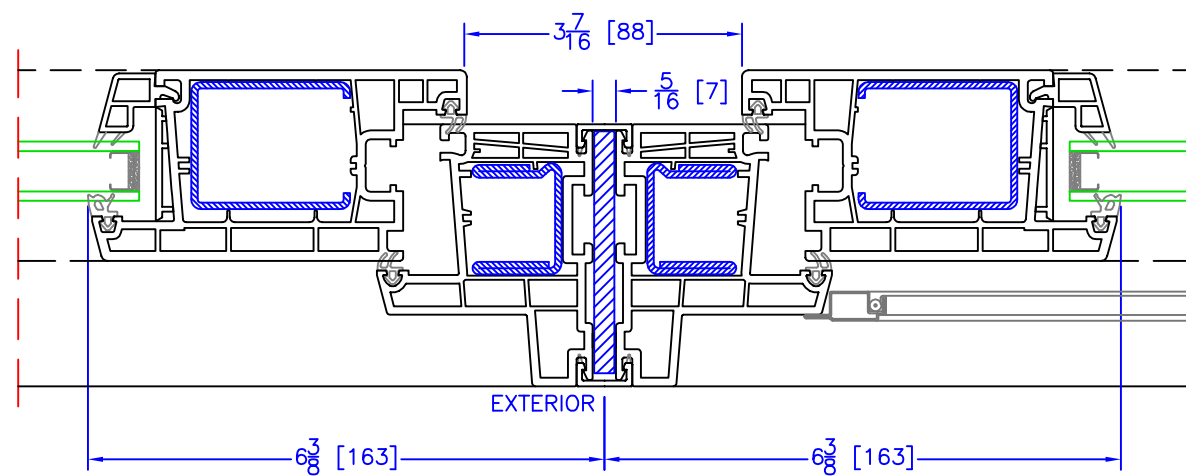


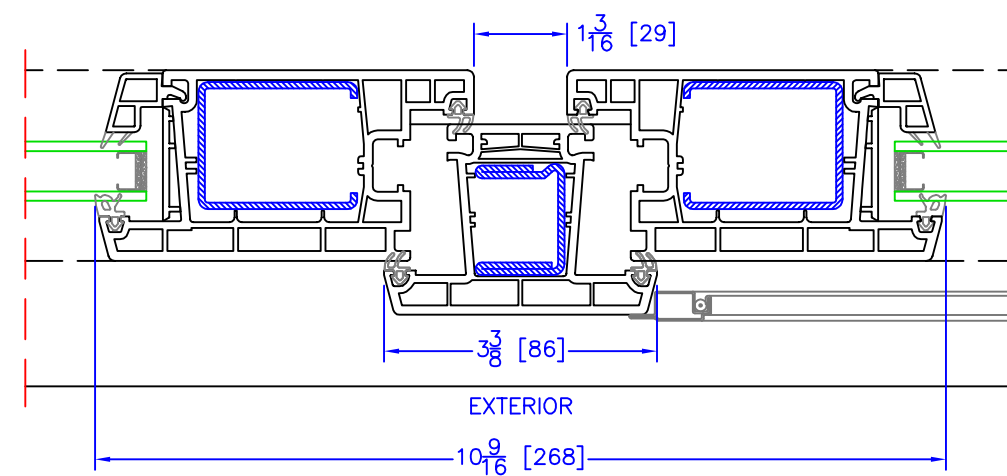
OUTSWING OPERATOR/OUTSWING OPERATOR
VERTICAL REINFORCEMENT MULLION
(OFFSETS ARE THE SAME FOR THE SIDELITE)



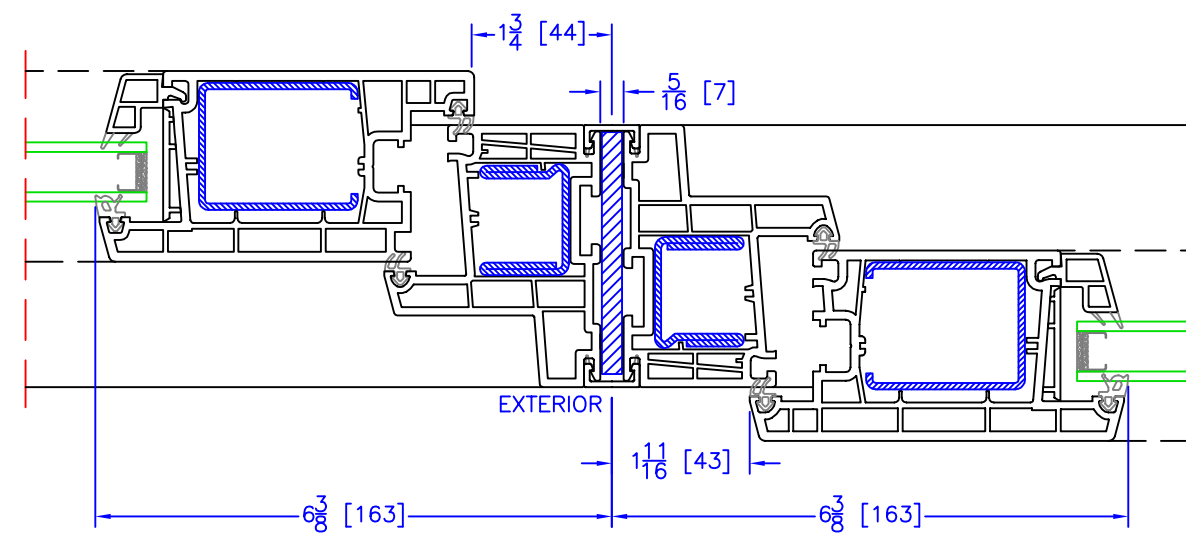
OUTSWING OPERATOR/OUTSWING OPERATOR
VERTICAL T-MULLION
(OFFSETS ARE THE SAME FOR THE SIDELITE)



INSWING OPERATOR/INSWING OPERATOR
VERTICAL REINFORCEMENT MULLION
(OFFSETS ARE THE SAME FOR THE SIDELITE)



INSWING OPERATOR/INSWING OPERATOR
VERTICAL T-MULLION
(OFFSETS ARE THE SAME FOR THE SIDELITE)



INSWING OPERATOR/OUTSWING OPERATOR
VERTICAL REINFORCEMENT MULLION
(OFFSETS ARE THE SAME FOR THE SIDELITE)

NOTE: REINFORCEMENT IS INSTALLED
WHEN STRUCTURALLY REQUIRED