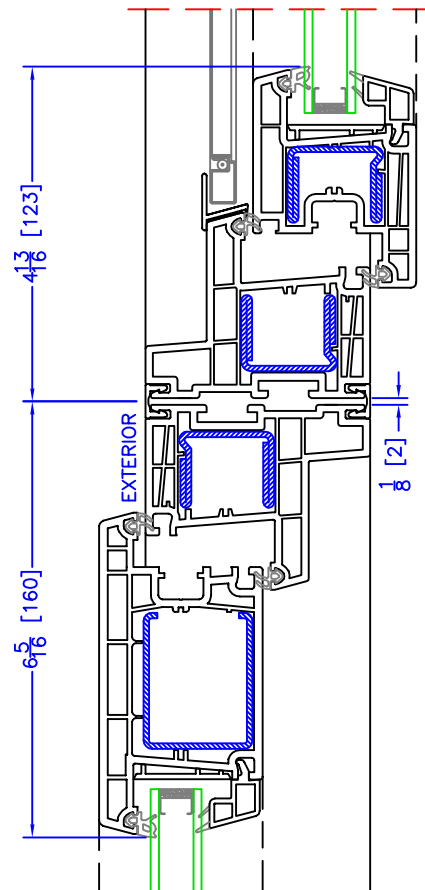
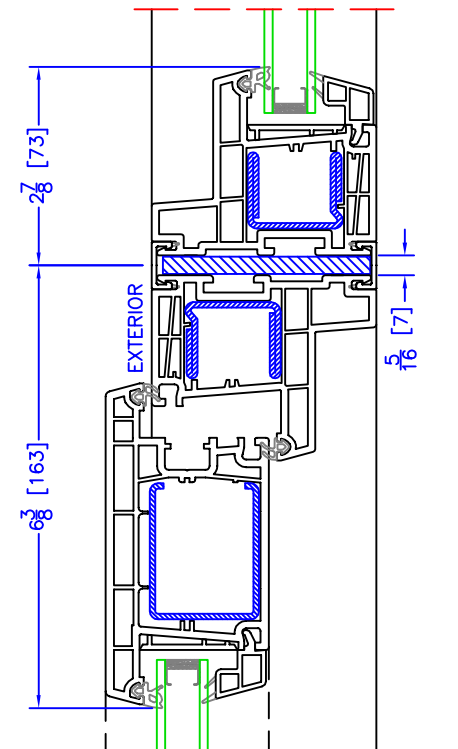


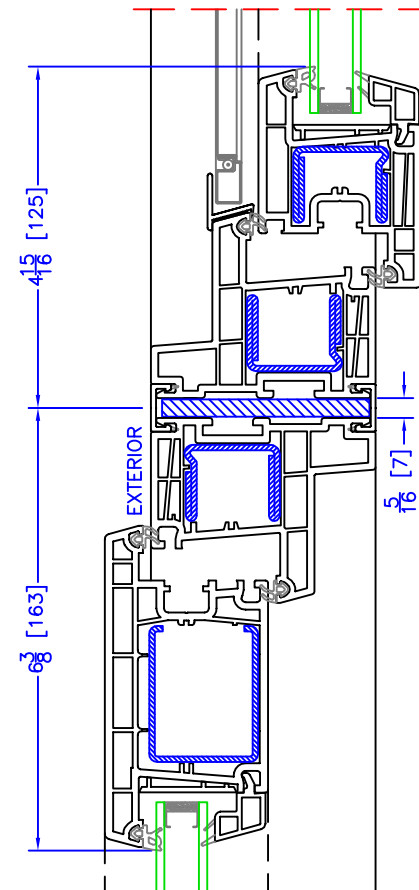
TRANSOM/OUTSWING OPERATOR
HORIZONTAL MULLION



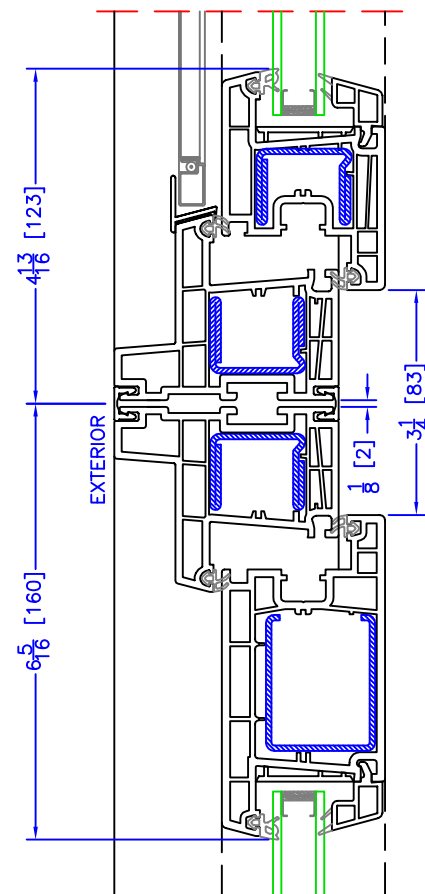
HOPPER/OUTSWING OPERATOR
HORIZONTAL MULLION
(OFFSETS ARE THE SAME FOR THE FIXED SASH)



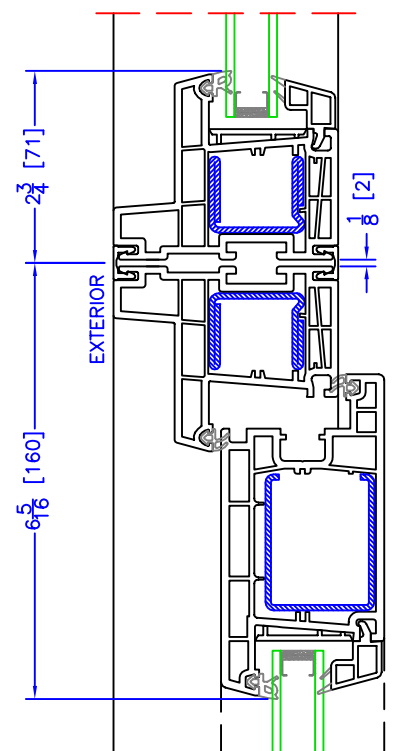
TRANSOM/OUTSWING OPERATOR
HORIZONTAL REINFORCEMENT MULLION



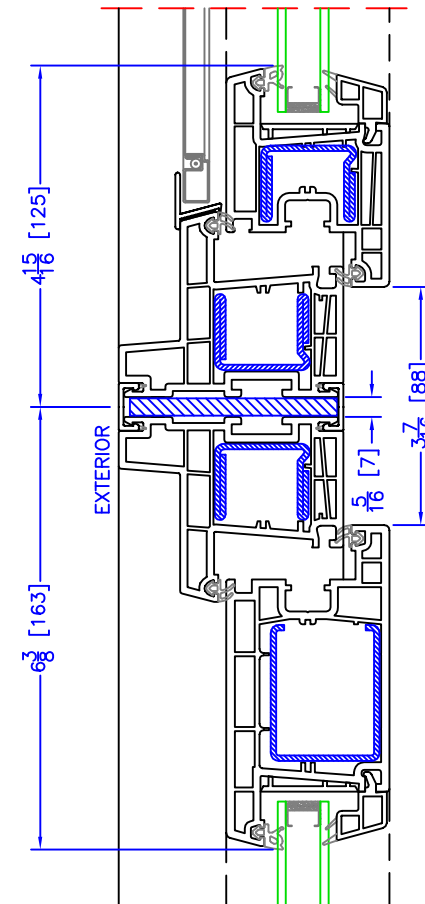
HOPPER/OUTSWING OPERATOR
HORIZONTAL REINFORCEMENT MULLION
(OFFSETS ARE THE SAME FOR THE FIXED SASH)



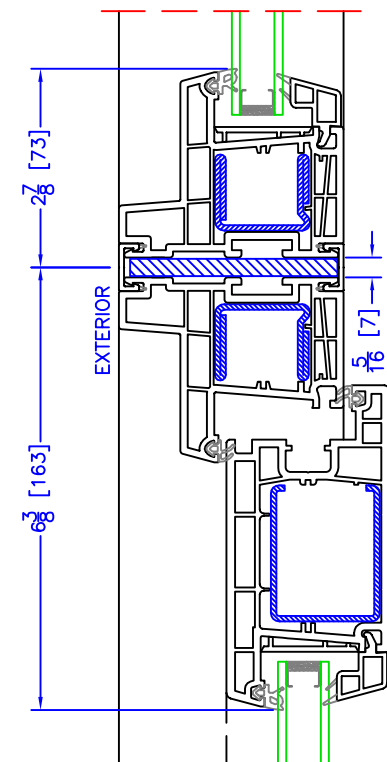
HOPPER/INSWING OPERATOR
HORIZONTAL MULLION
(OFFSETS ARE THE SAME FOR THE FIXED SASH)



TRANSOM/INSWING OPERATOR
HORIZONTAL MULLION



HOPPER/INSWING OPERATOR
HORIZONTAL REINFORCEMENT MULLION
(OFFSETS ARE THE SAME FOR THE FIXED SASH)



TRANSOM/INSWING OPERATOR
HORIZONTAL REINFORCEMENT MULLION

NOTE:
REINFORCEMENT IS
INSTALLED WHEN
STRUCTURALLY
REQUIRED