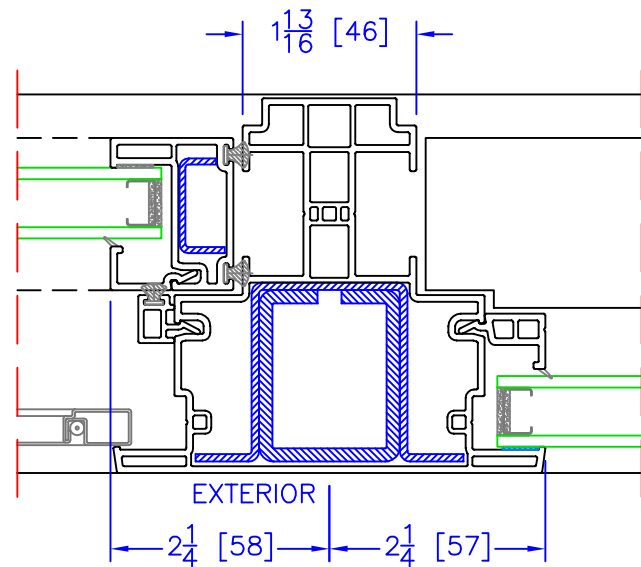
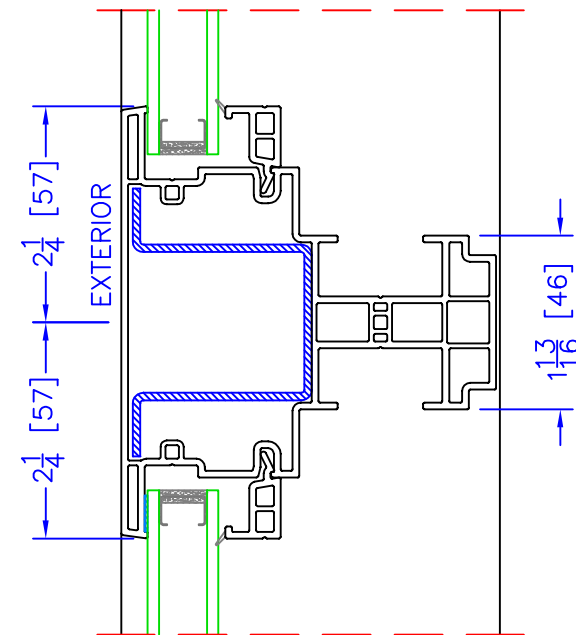


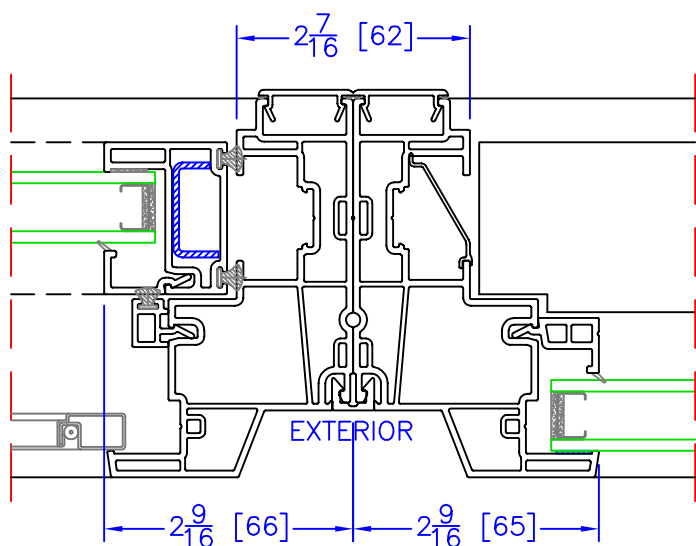
OPERATOR (BOTTOM SASH)/FIXED  
VERTICAL T-MULLION



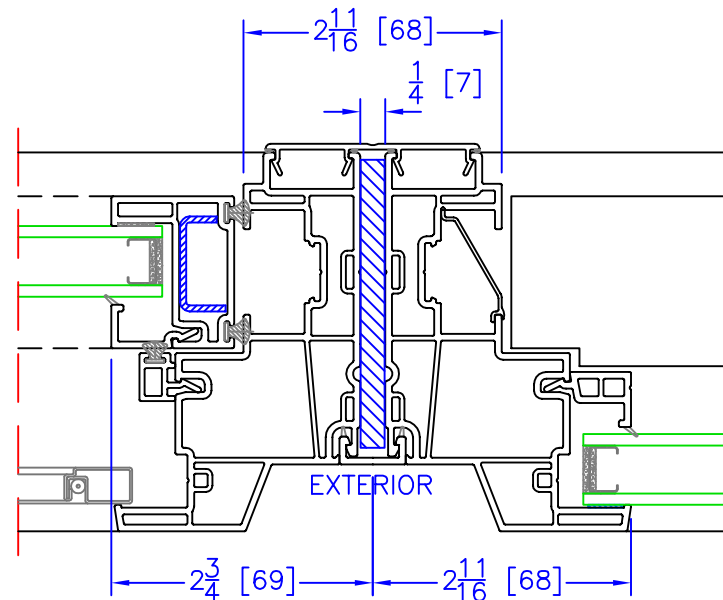
OPERATOR (BOTTOM SASH)/FIXED  
VERTICAL T-MULLION HD



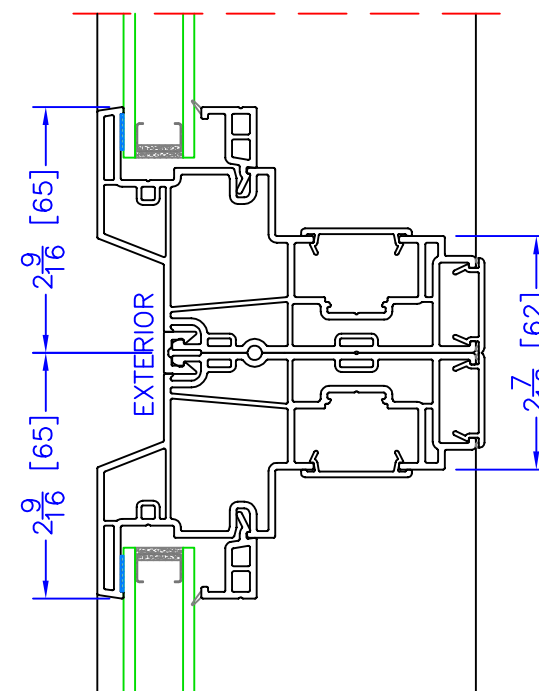
FIXED/OPERATOR OR FIXED  
HORIZONTAL T-MULLION



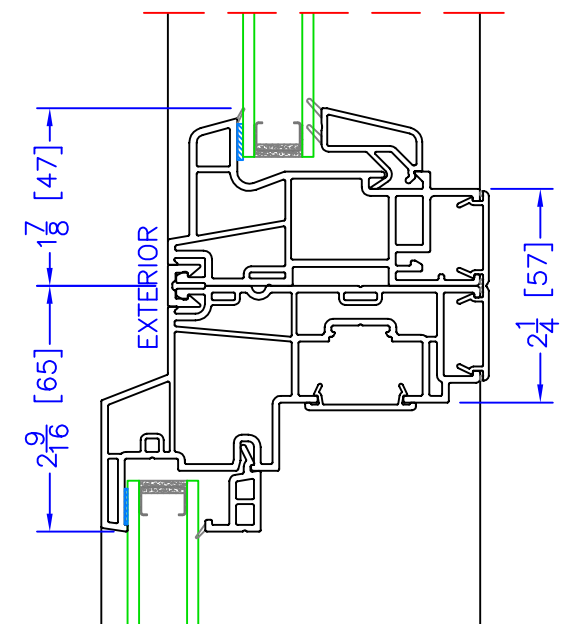
OPERATOR (BOTTOM SASH)/FIXED  
VERTICAL MULLION



OPERATOR (BOTTOM SASH)/FIXED  
VERTICAL REINFORCEMENT MULLION



FIXED/OPERATOR OR FIXED  
HORIZONTAL MULLION



SHAPE/OPERATOR or FIXED  
HORIZONTAL MULLION

NOTE: REINFORCEMENT IS INSTALLED  
WHEN STRUCTURALLY REQUIRED