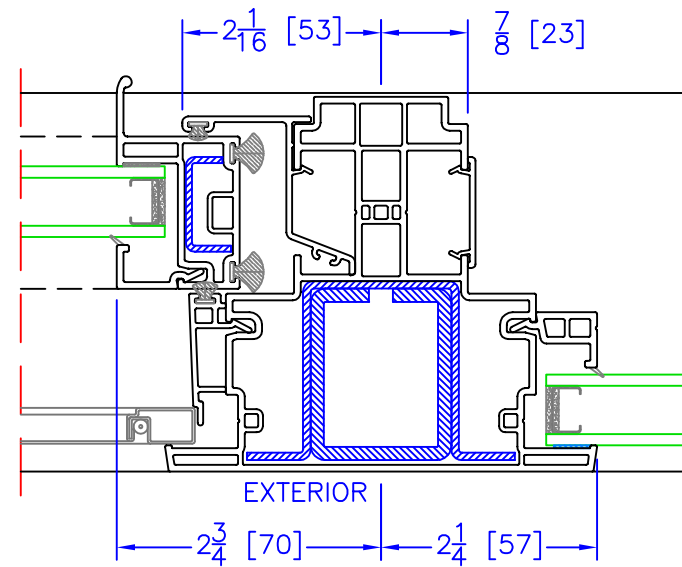
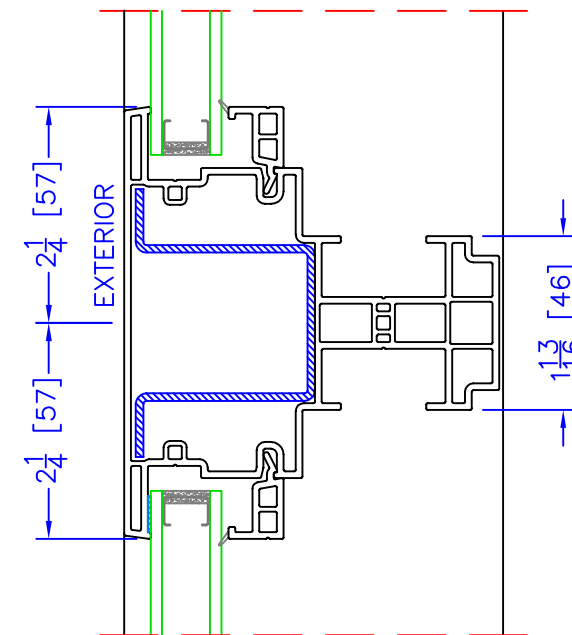


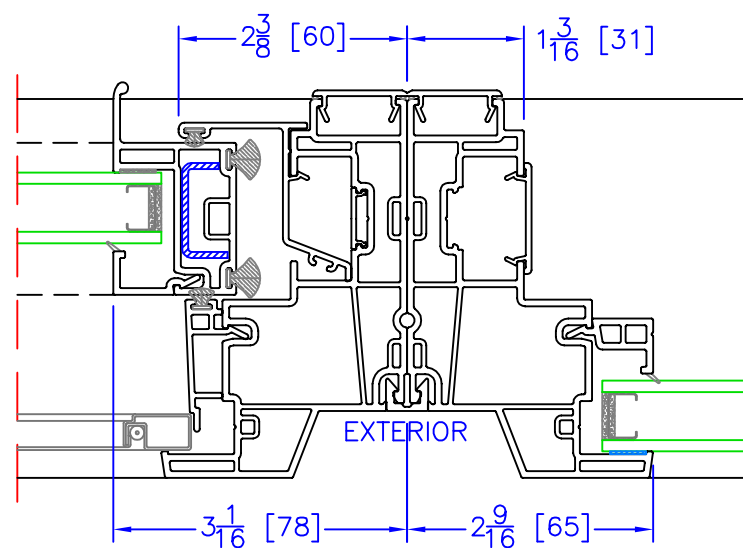
OPERATOR/FIXED
VERTICAL T-MULLION



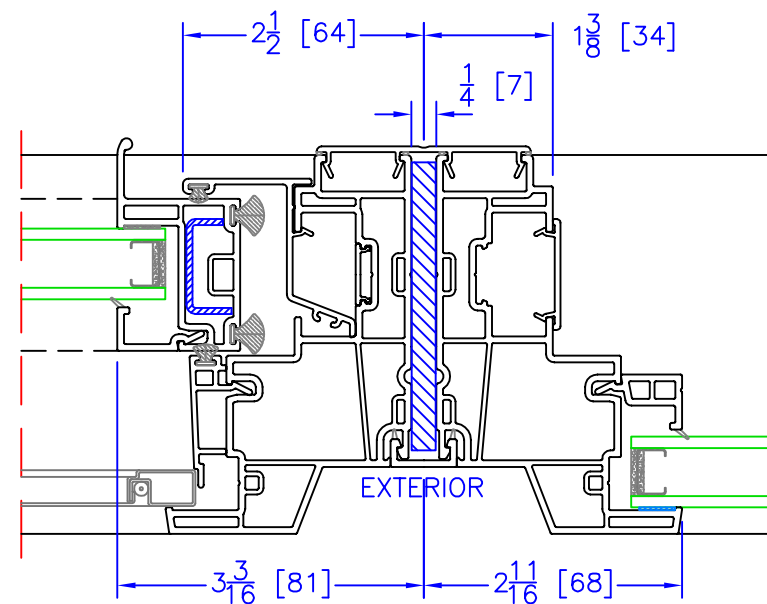
OPERATOR/FIXED
VERTICAL T-MULLION HD



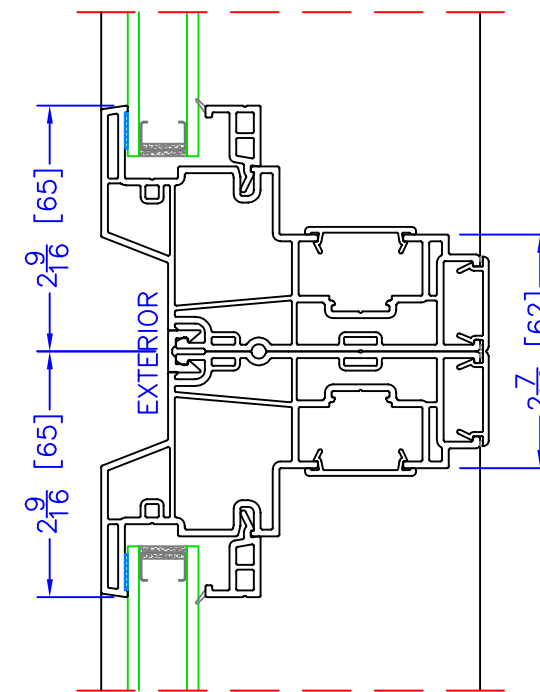
FIXED/FIXED
HORIZONTAL T-MULLION



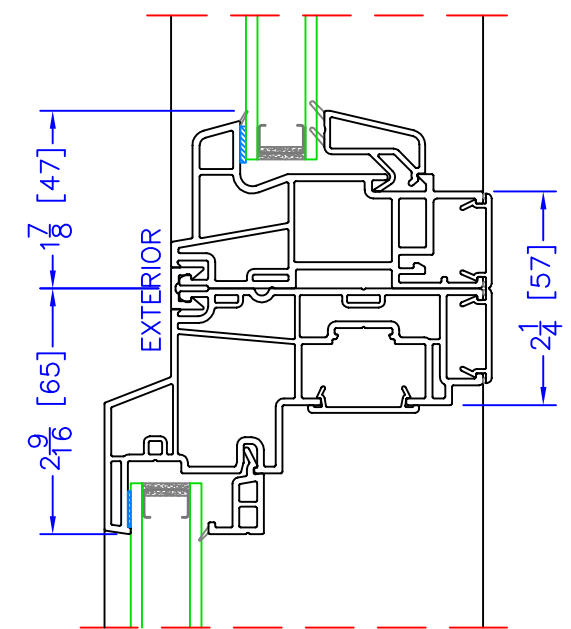
OPERATOR/FIXED
VERTICAL MULLION



OPERATOR/FIXED
VERTICAL REINFORCEMENT MULLION



FIXED/FIXED
HORIZONTAL MULLION



SHAPE/FIXED
HORIZONTAL MULLION

NOTE: REINFORCEMENT IS INSTALLED
WHEN STRUCTURALLY REQUIRED