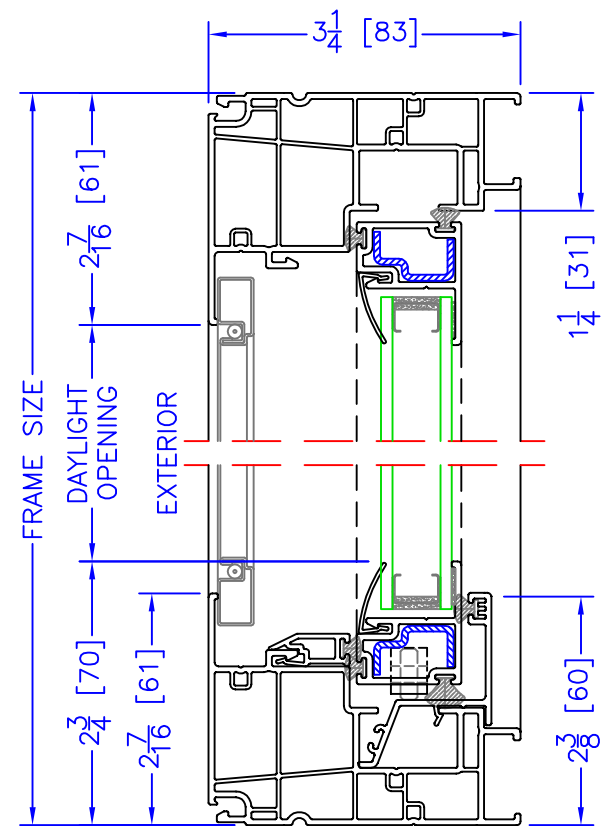
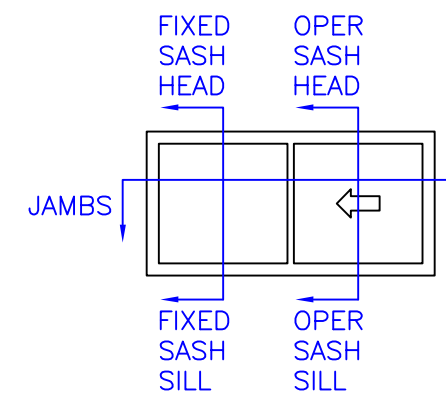
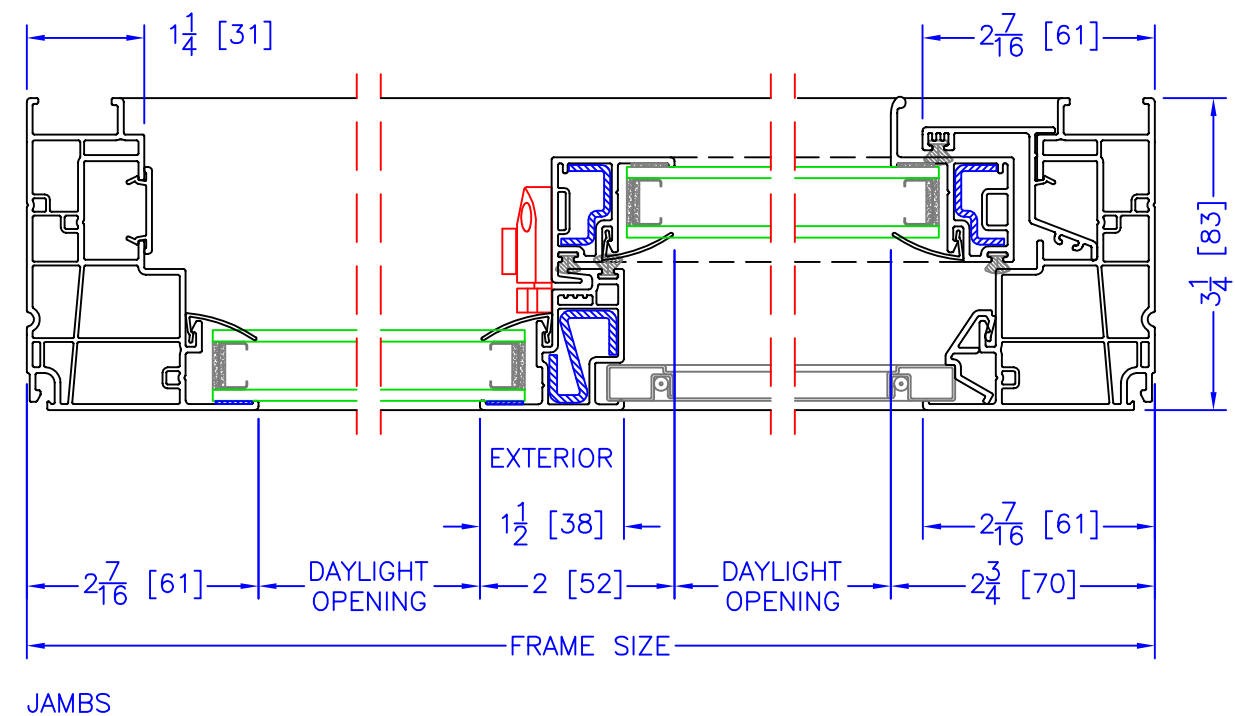


FIXED SASH HEAD/SILL



OPERATOR SASH HEAD/SILL



NOTE: REINFORCEMENT IS INSTALLED WHEN STRUCTURALLY REQUIRED