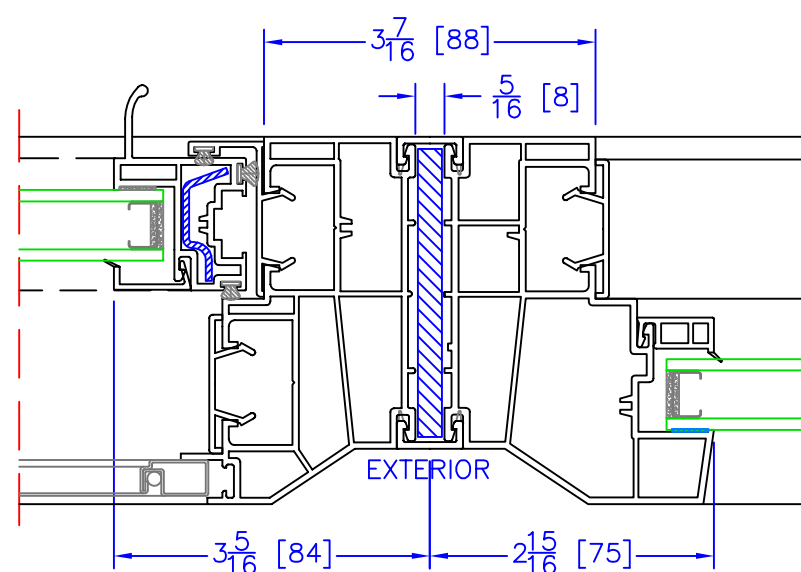
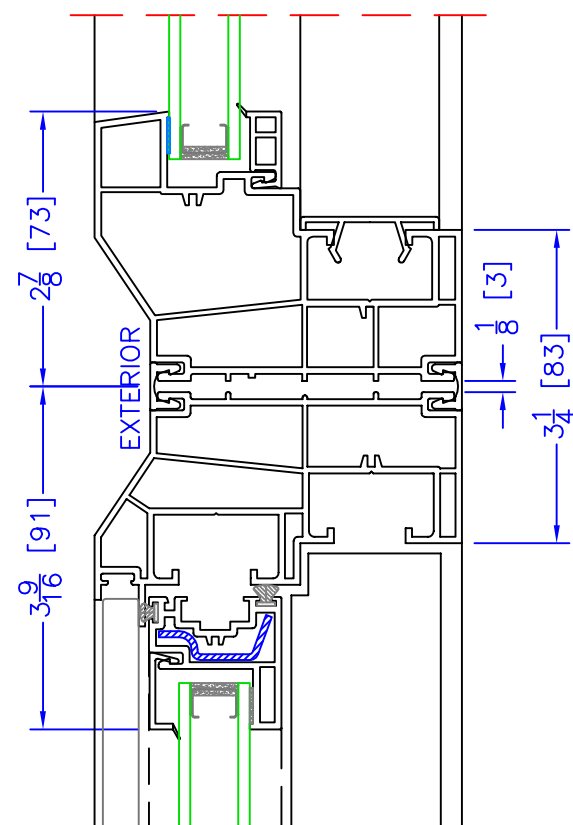


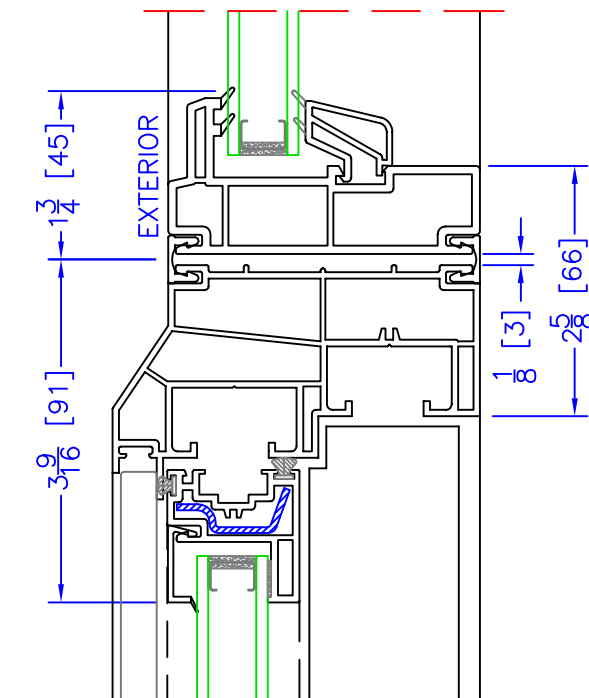
OPERATOR (INSIDE SASH)/FIXED VERTICAL MULLION



OPERATOR (INSIDE SASH)/FIXED VERTICAL REINFORCEMENT MULLION



FIXED/OPERATOR (OUTSIDE SASH) HORIZONTAL MULLION



SHAPE/OPERATOR (OUTSIDE SASH) HORIZONTAL MULLION

NOTE: REINFORCEMENT IS INSTALLED WHEN STRUCTURALLY REQUIRED