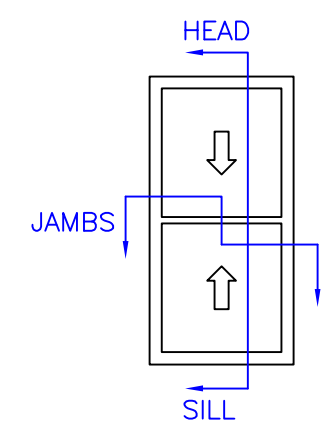
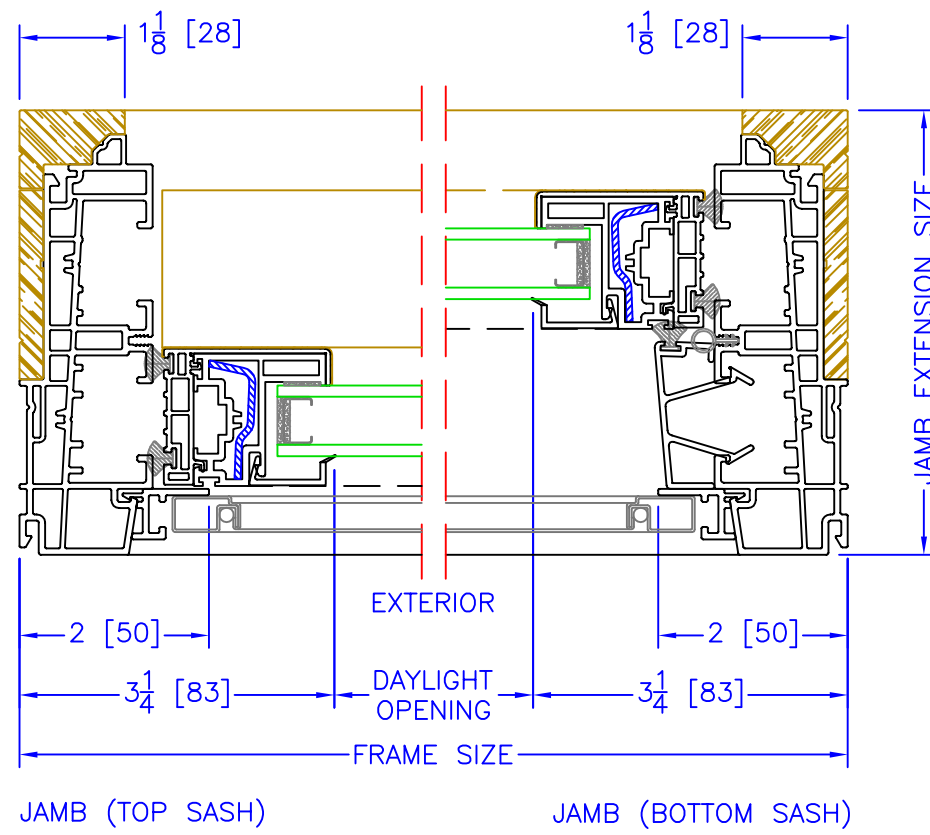


NOTE: THE 4 5/8" JAMB EXTENSION IS SHOWN



NOTE: REINFORCEMENT IS INSTALLED WHEN STRUCTURALLY REQUIRED