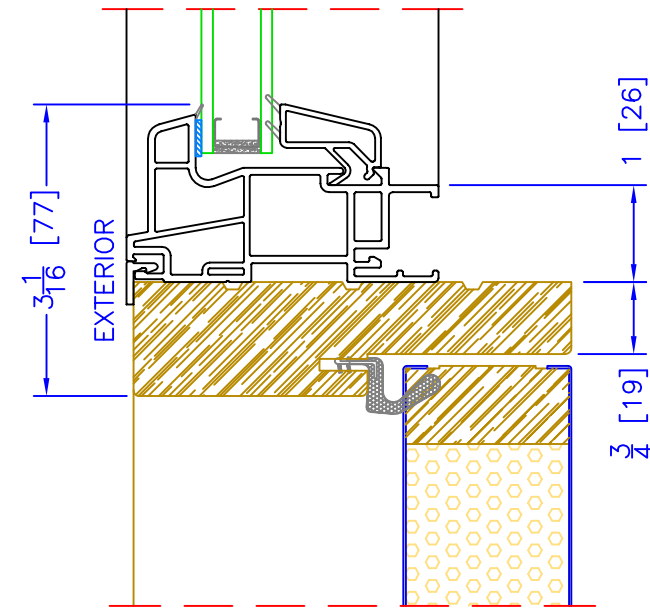
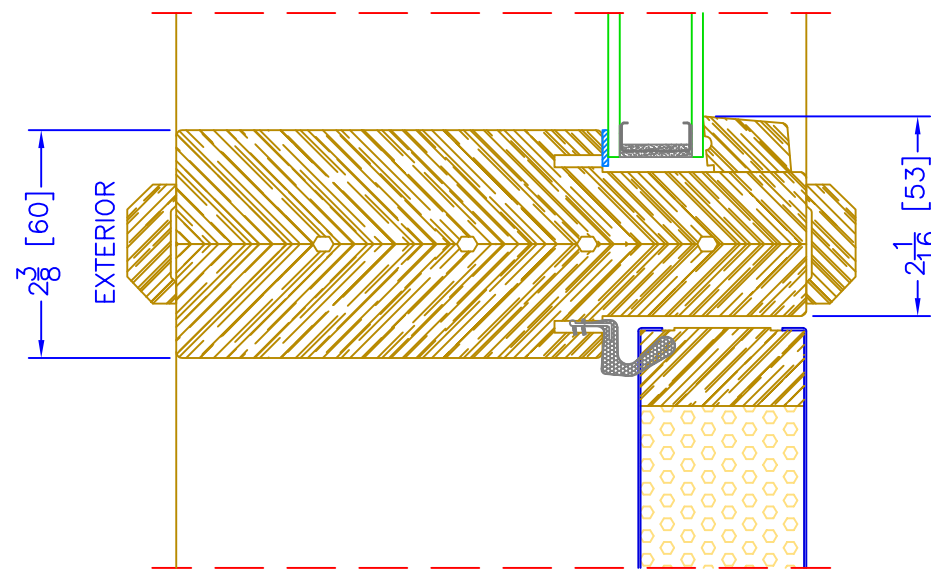


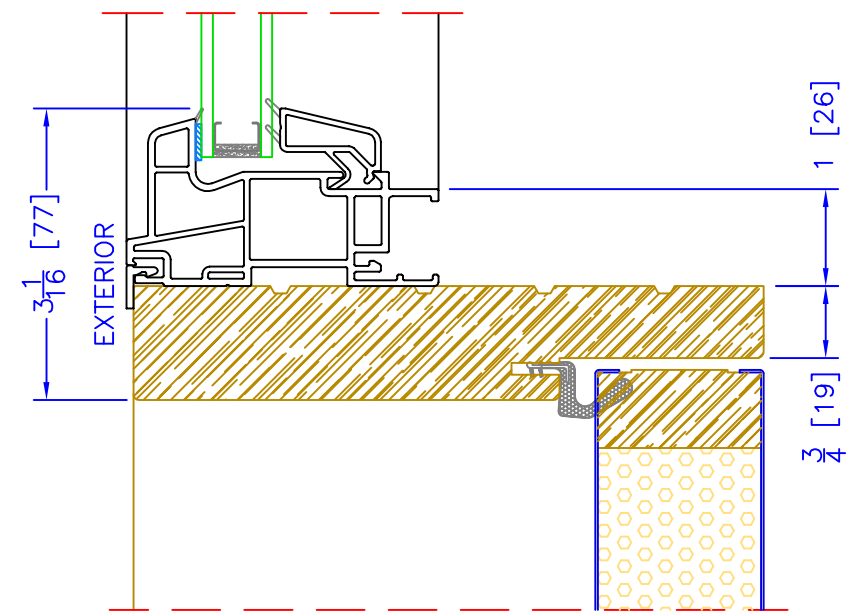
4 5/8" INSWING TRANSM o/ OPERATOR
HORIZONTAL MULLION



4 5/8" INSWING SHAPE o/ OPERATOR
HORIZONTAL MULLION



6 5/8" INSWING TRANSM o/ OPERATOR
HORIZONTAL MULLION



6 5/8" INSWING SHAPE o/ OPERATOR
HORIZONTAL MULLION