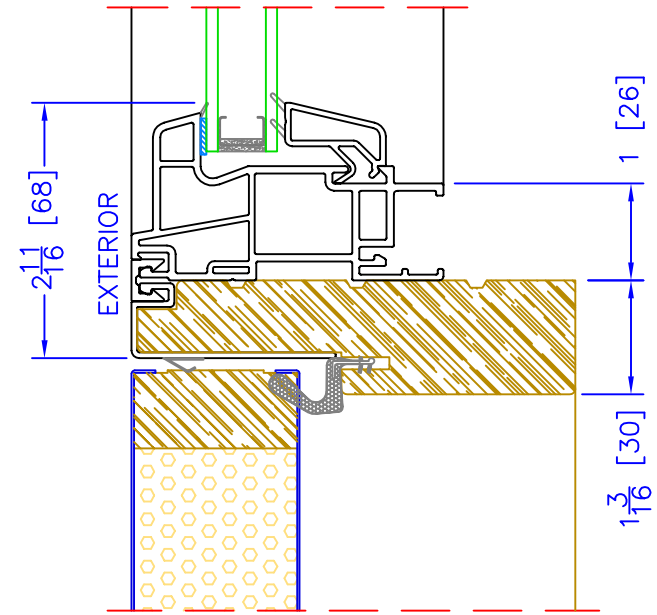
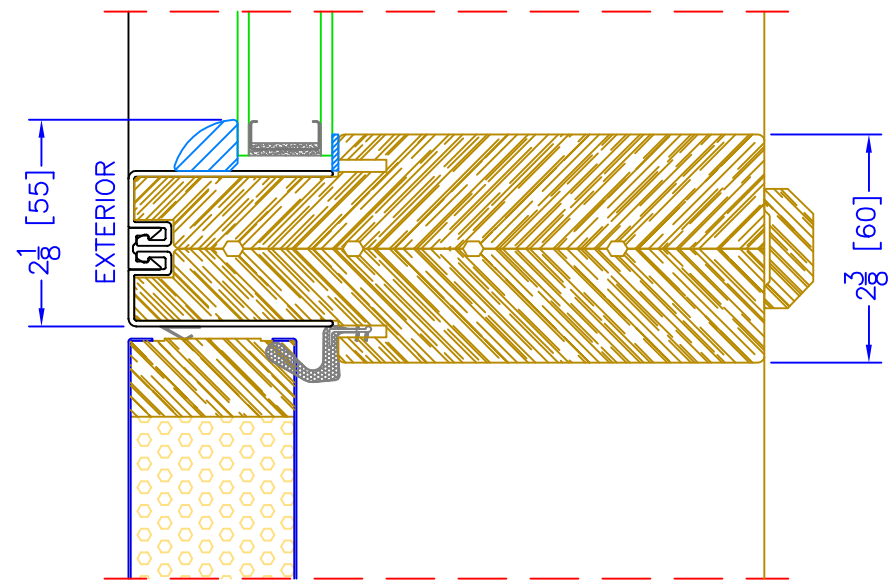


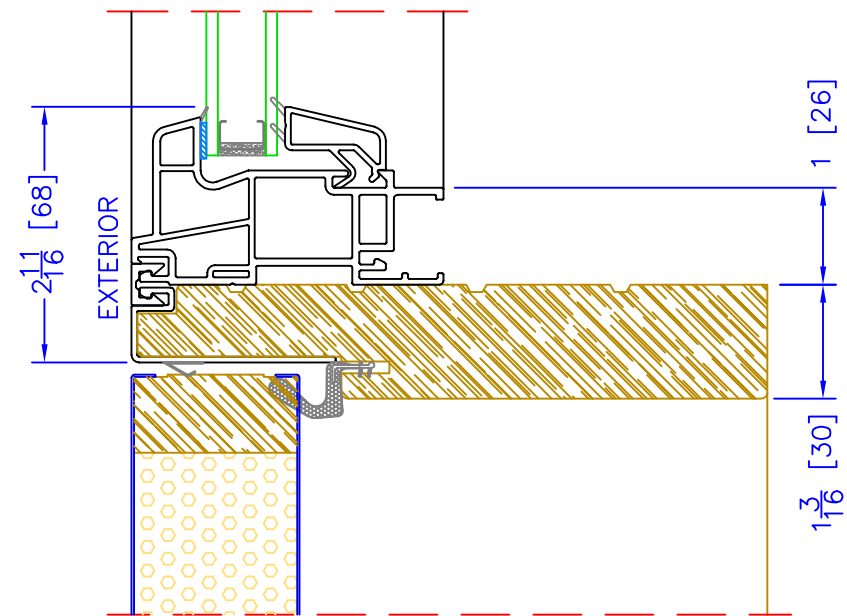
4 5/8" OUTSWING TRANSOM o/ OPERATOR  
HORIZONTAL MULLION



4 5/8" OUTSWING SHAPE o/ OPERATOR  
HORIZONTAL MULLION



6 5/8" OUTSWING TRANSOM o/ OPERATOR  
HORIZONTAL MULLION



6 5/8" OUTSWING SHAPE o/ OPERATOR  
HORIZONTAL MULLION