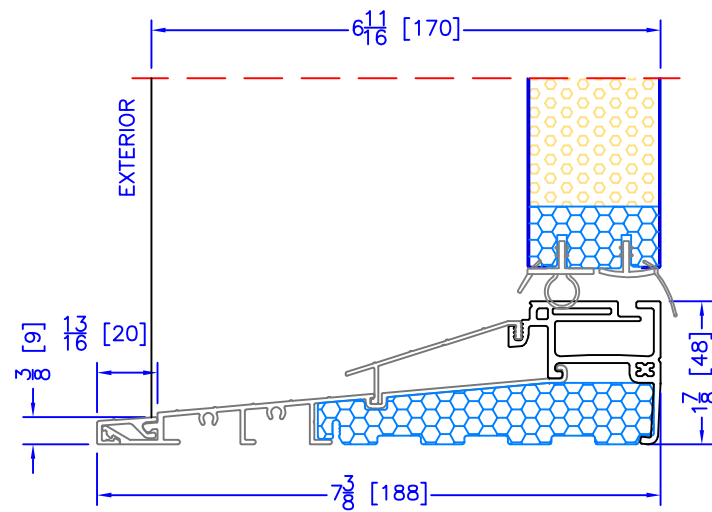
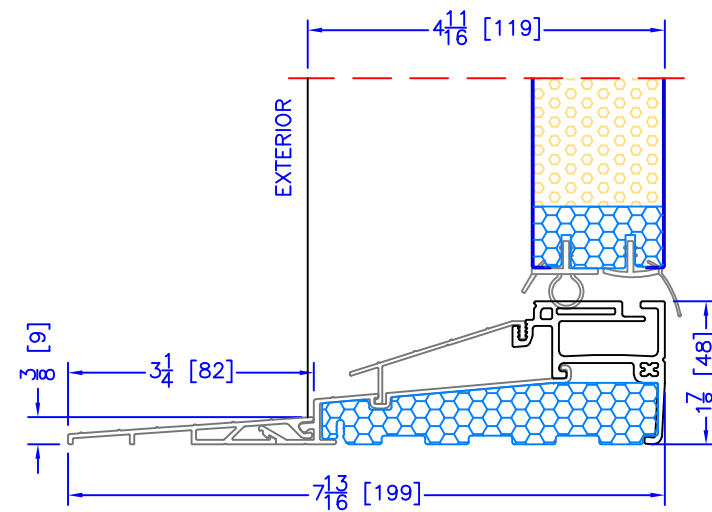


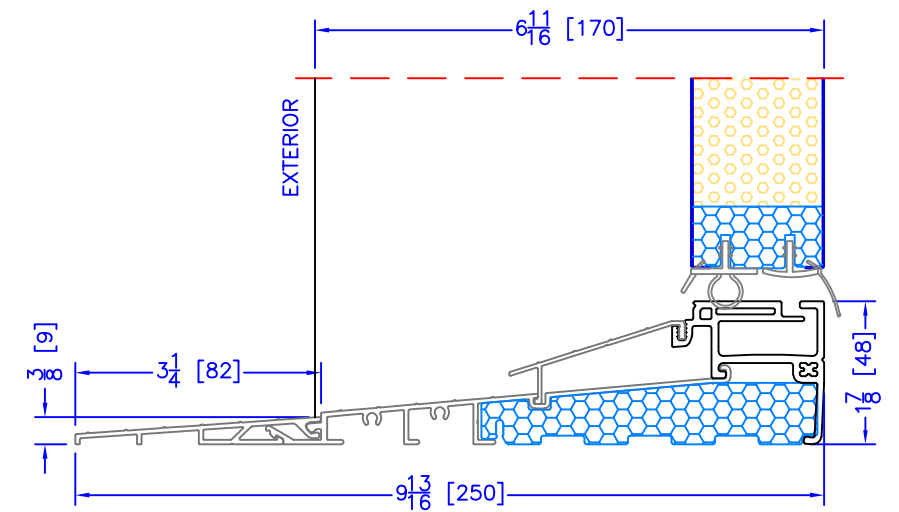
4 5/8" INSWING HIGH PERFORMANCE SILL  
CLOSE-OUT EXTENSION  
(USED WITH PLAIN FRAME)



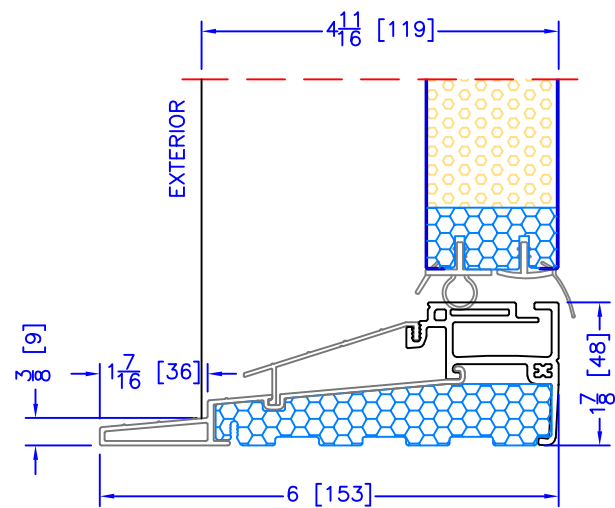
6 5/8" INSWING HIGH PERFORMANCE SILL  
CLOSE-OUT EXTENSION  
(USED WITH PLAIN FRAME)



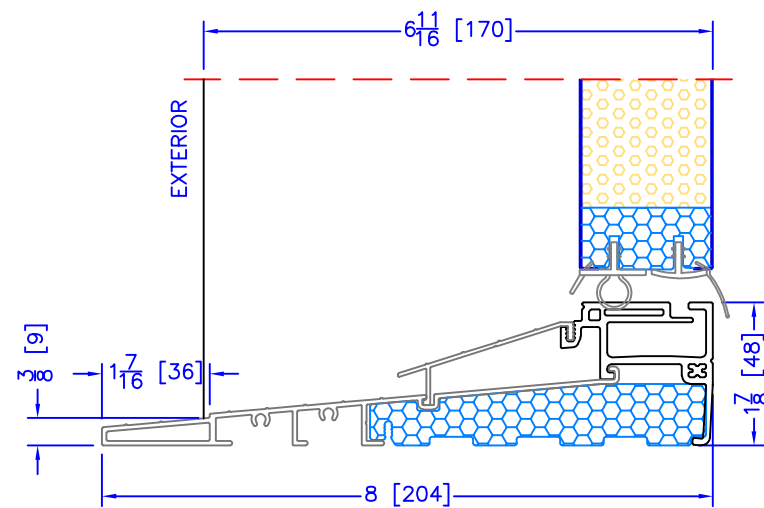
4 5/8" INSWING HIGH PERFORMANCE SILL  
2 PC ALUMINUM (3 1/4" EXT)  
(USED WITH 1 1/2" EXTENDED BM/J-TRIM & FLUSH EXTENSION)



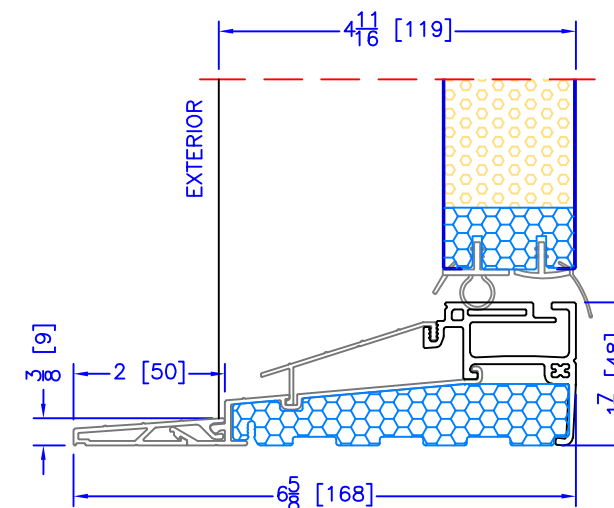
6 5/8" INSWING HIGH PERFORMANCE SILL  
2 PC ALUMINUM (3 1/4" EXT)  
(USED WITH 1 1/2" EXTENDED BM/J-TRIM & FLUSH EXTENSION)



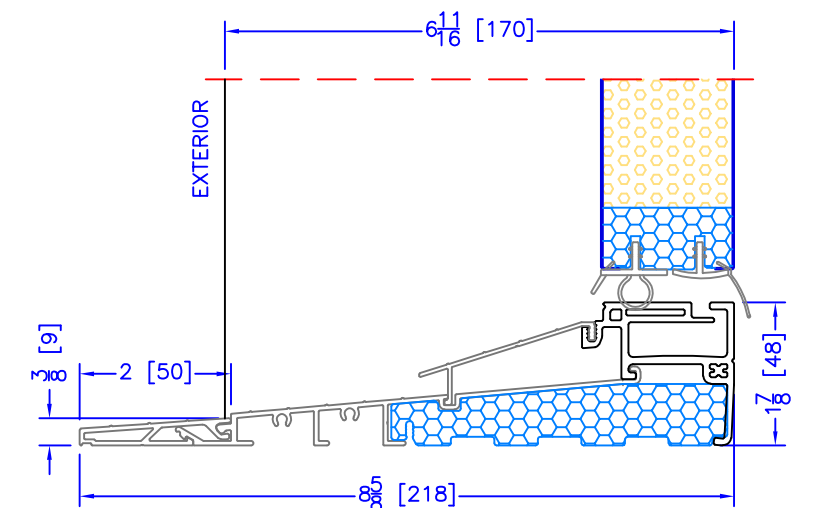
4 5/8" INSWING HIGH PERFORMANCE SILL  
1 PC ALUMINUM  
(USED WITH 2" DOOR BM'S/J-TRIM'S)



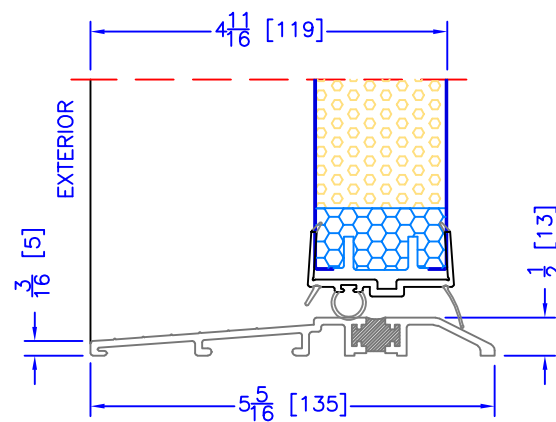
6 5/8" INSWING HIGH PERFORMANCE SILL  
1 PC ALUMINUM  
(USED WITH 2" DOOR BM'S/J-TRIM'S)



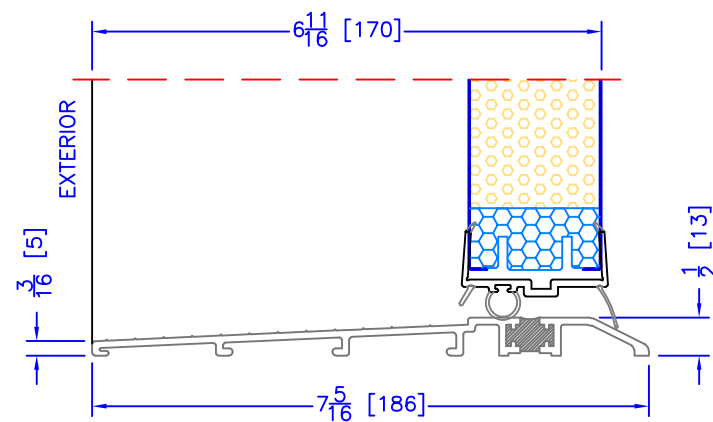
4 5/8" INSWING HIGH PERFORMANCE SILL  
2 PC ALUMINUM (2" EXT)  
(USED WITH ALL OTHER EXTERIOR OPTIONS)



6 5/8" INSWING HIGH PERFORMANCE SILL  
2 PC ALUMINUM (2" EXT)  
(USED WITH ALL OTHER EXTERIOR OPTIONS)



4 5/8" INSWING ASSISTED LIVING SILL



6 5/8" INSWING ASSISTED LIVING SILL