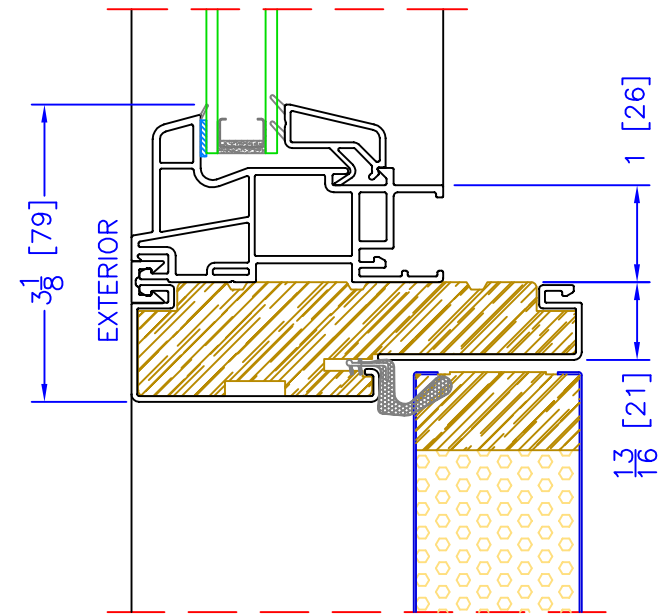
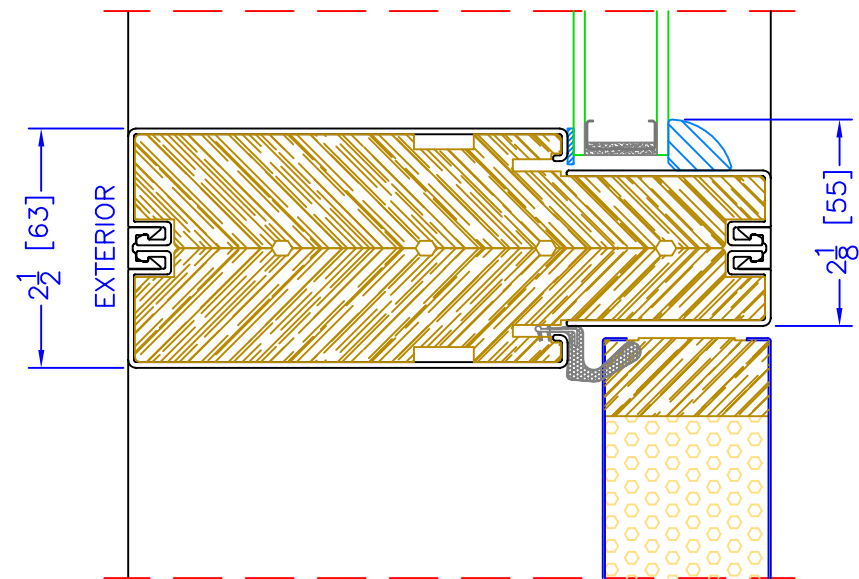


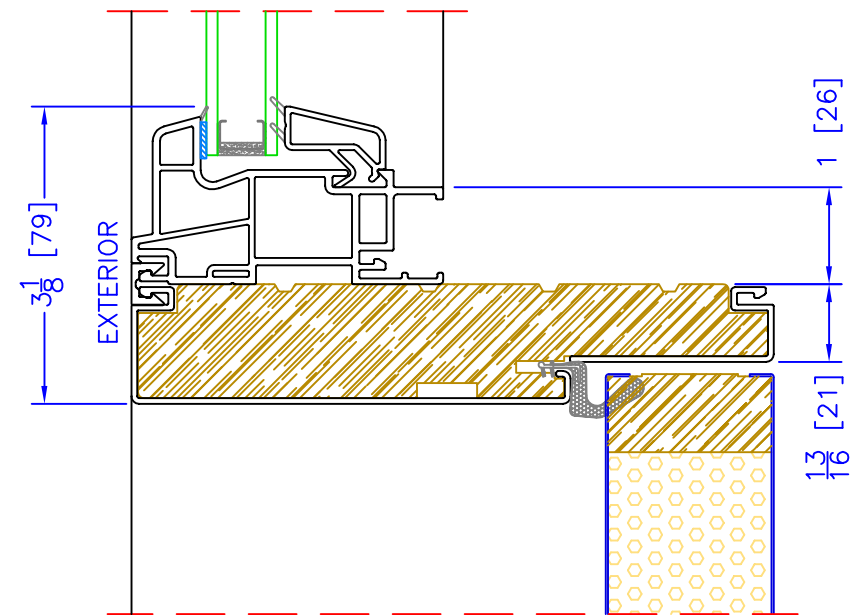
4 5/8" INSWING TRANSOM o/ OPERATOR  
HORIZONTAL MULLION



4 5/8" INSWING SHAPE o/ OPERATOR  
HORIZONTAL MULLION



6 5/8" INSWING TRANSOM o/ OPERATOR  
HORIZONTAL MULLION



6 5/8" INSWING SHAPE o/ OPERATOR  
HORIZONTAL MULLION