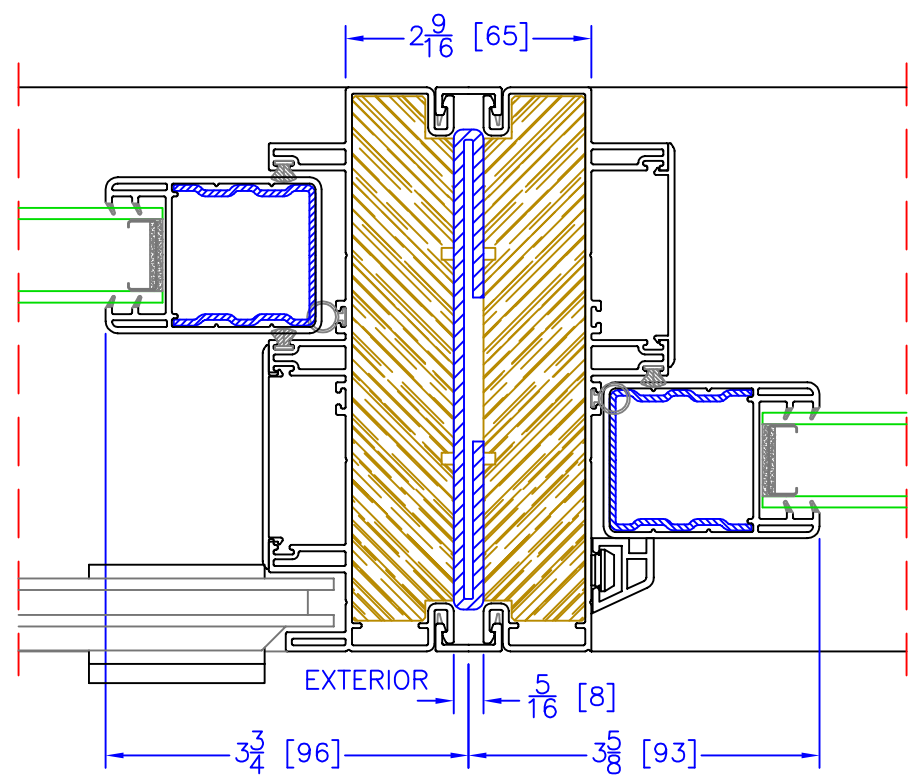
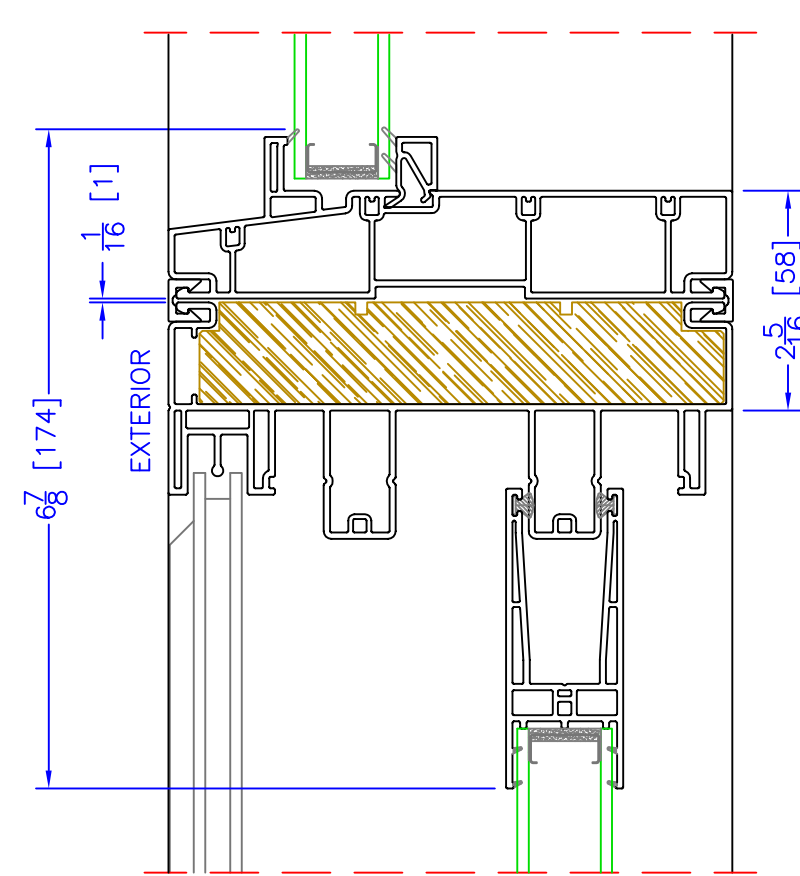


TRANSOM/TRANSOM  
VERTICAL MULLION

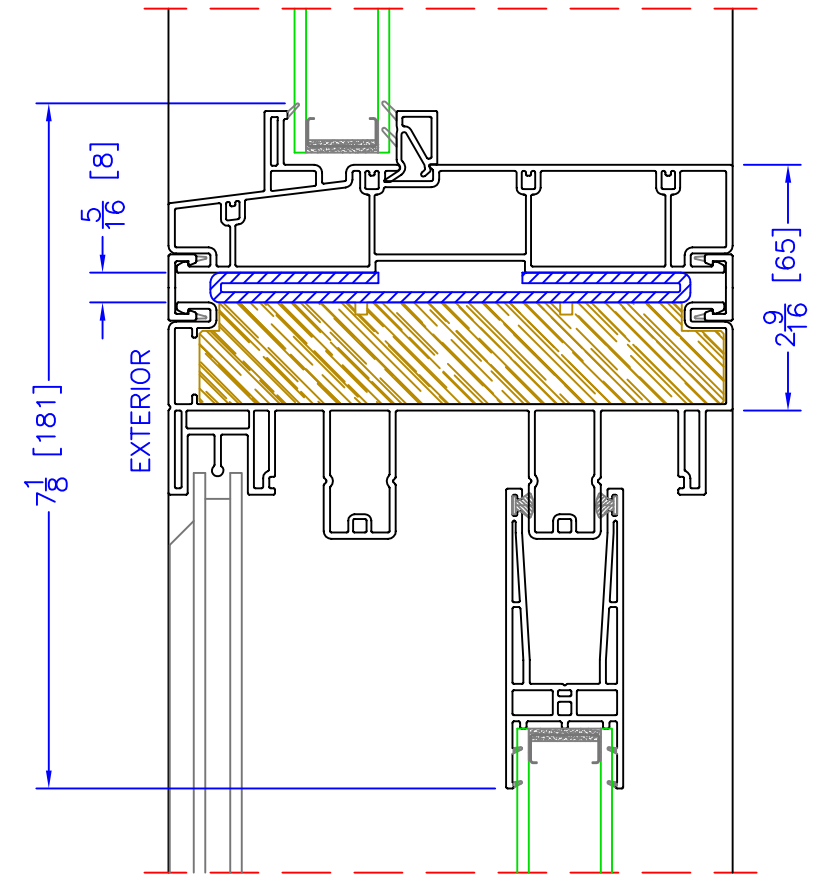
TRANSOM/TRANSOM  
VERTICAL REINFORCEMENT MULLION



OPERATOR/SIDELITE  
VERTICAL REINFORCEMENT MULLION



TRANSOM/OPERATOR  
HORIZONTAL MULLION



TRANSOM/OPERATOR  
HORIZONTAL REINFORCEMENT MULLION