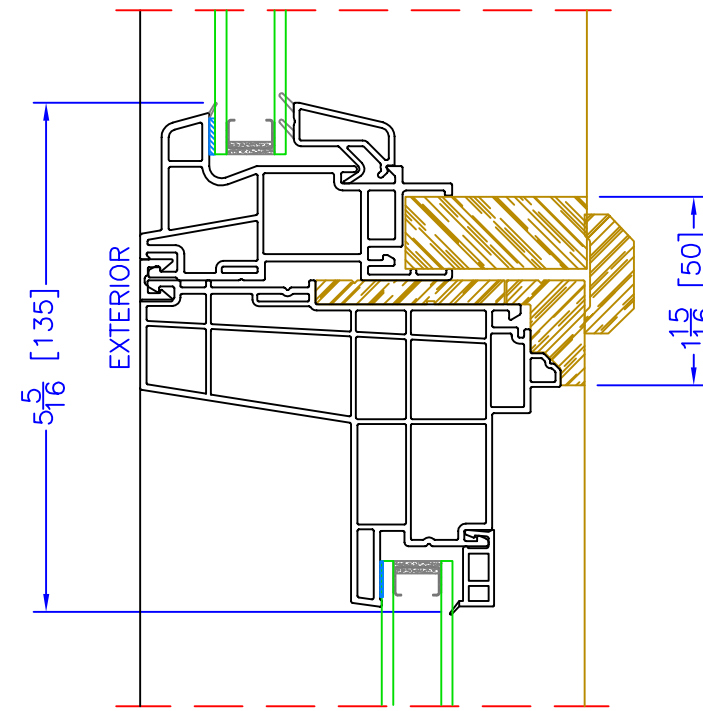
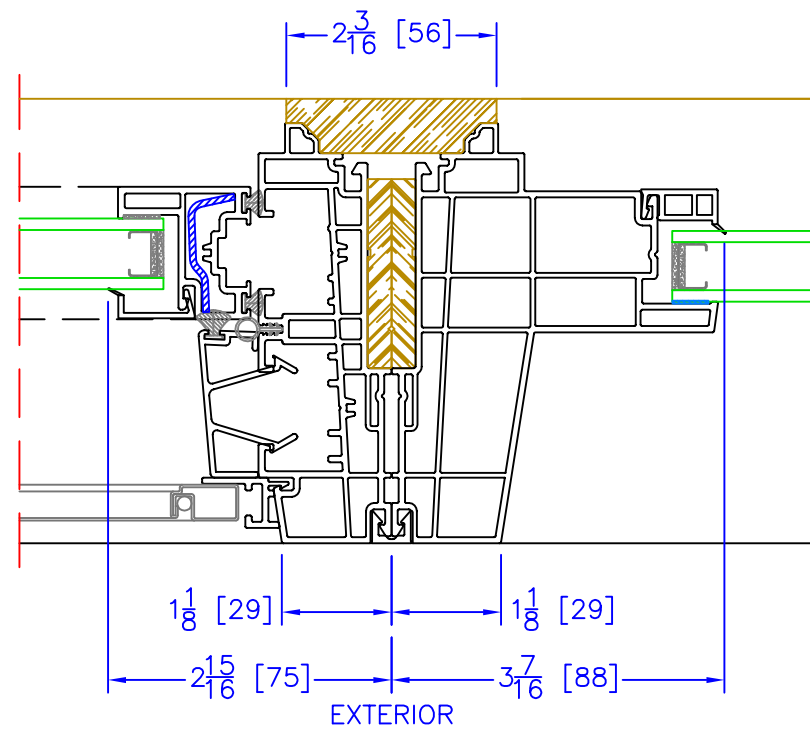


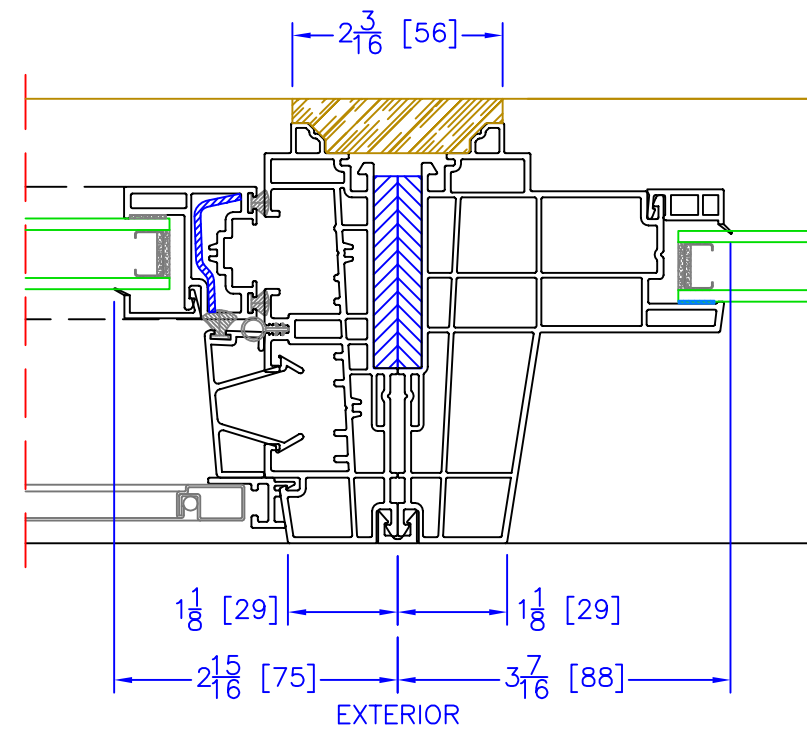
TRANSOM/OPERATOR  
HORIZONTAL MULLION



TRANSOM/FIXED  
HORIZONTAL MULLION



OPERATOR (BOTTOM SASH)/FIXED  
VERTICAL MULLION



OPERATOR (BOTTOM SASH)/FIXED  
VERTICAL REINFORCEMENT MULLION

NOTE: REINFORCEMENT IS INSTALLED  
WHEN STRUCTURALLY REQUIRED