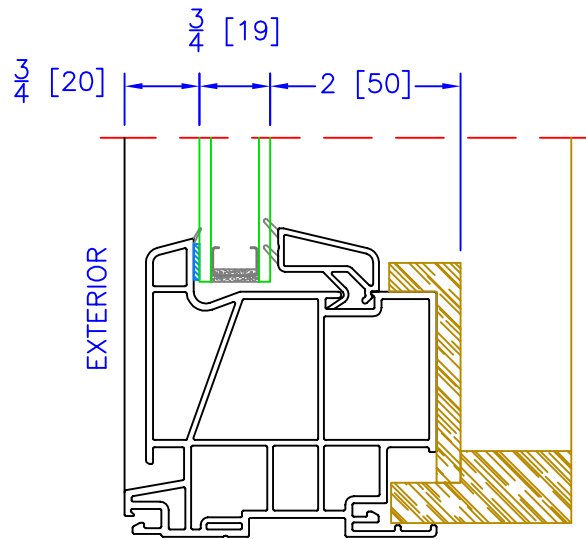
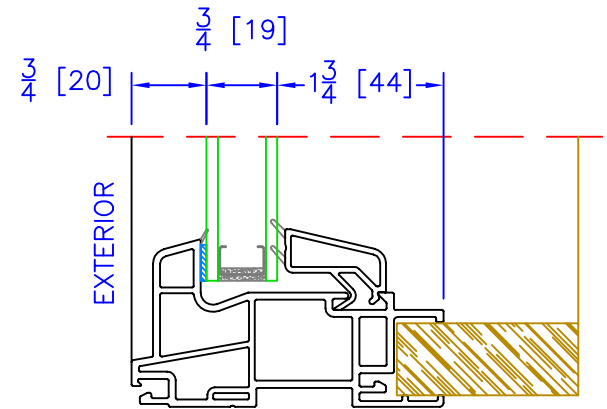


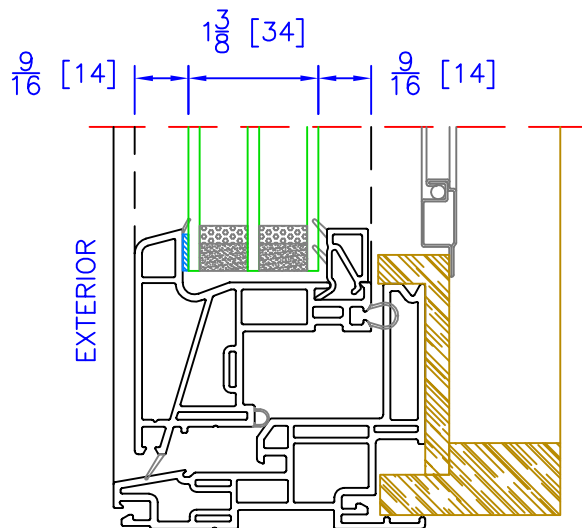
OPERATOR/FIXED DUAL  
GLAZING OPTION ( $\frac{3}{4}$ " OA)



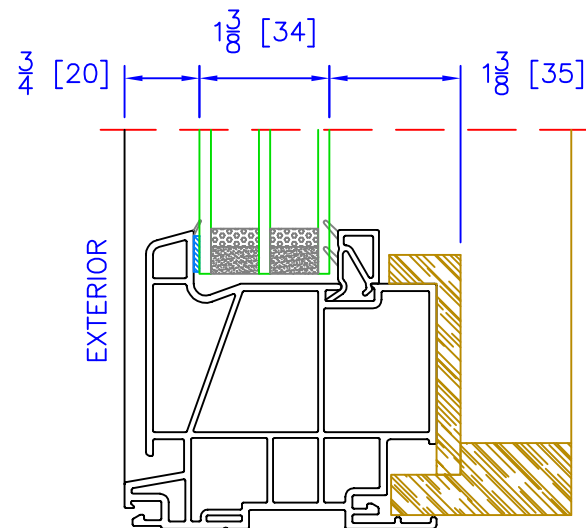
WIDE PICTURE (PW) DUAL  
GLAZING OPTION ( $\frac{3}{4}$ " OA)



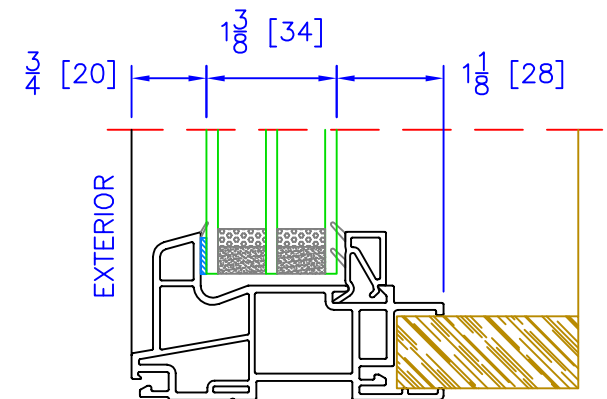
NARROW PICTURE (PN) DUAL  
GLAZING OPTION ( $\frac{3}{4}$ " OA)



OPERATOR/FIXED TRIPLE  
GLAZING OPTION ( $1\frac{3}{8}$ " OA)



WIDE PICTURE (PW) TRIPLE  
GLAZING OPTION ( $1\frac{3}{8}$ " OA)



NARROW PICTURE (PN) TRIPLE  
GLAZING OPTION ( $1\frac{3}{8}$ " OA)