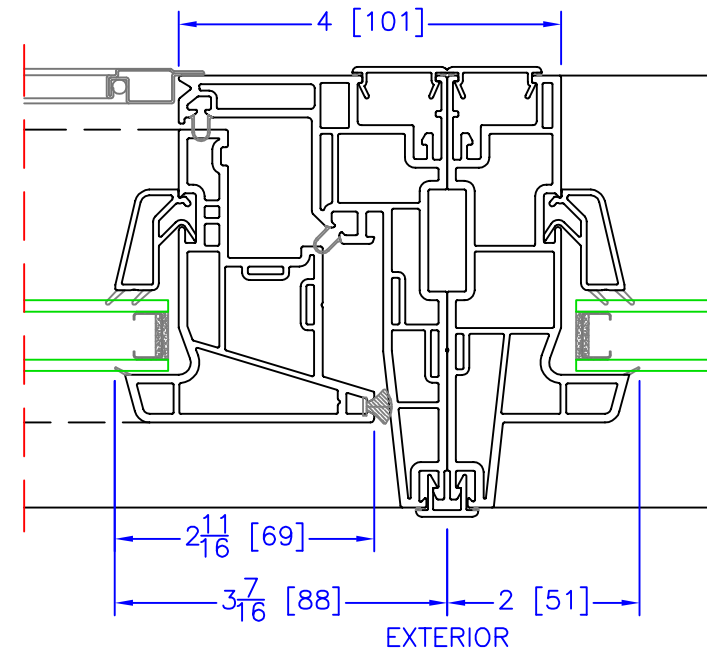
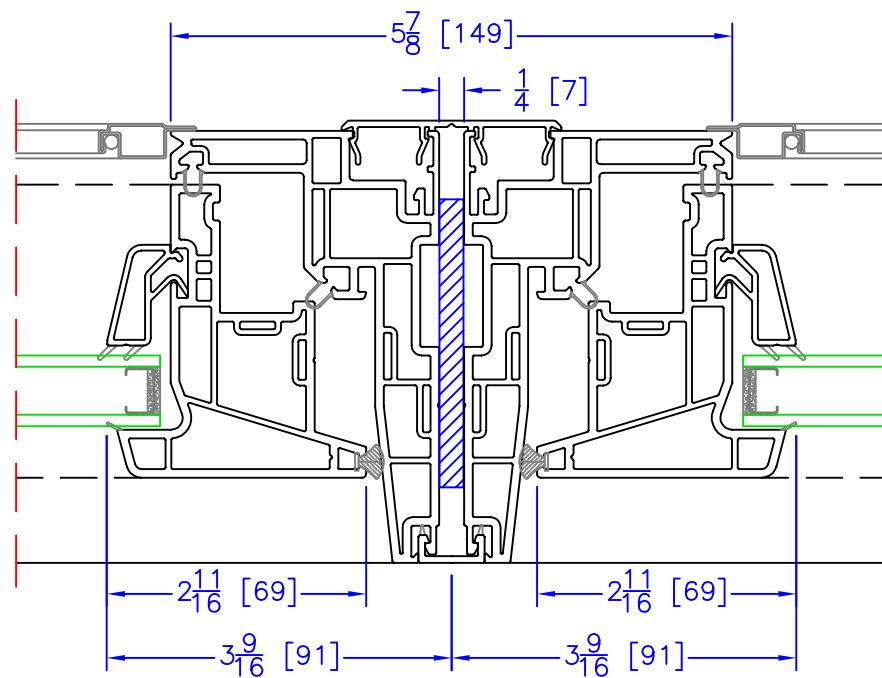


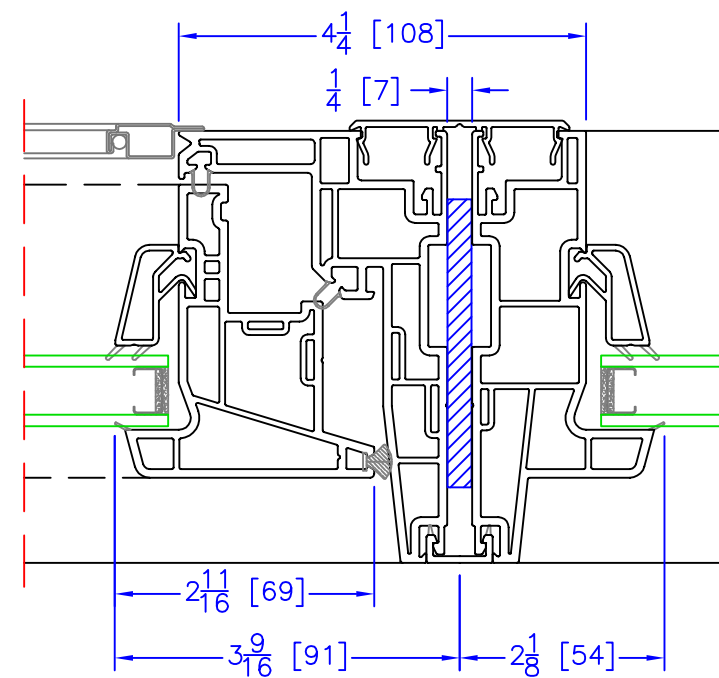
OPERATOR/OPERATOR
VERTICAL/HORIZONTAL MULLION



OPERATOR/NARROW PICTURE (PN)
VERTICAL/HORIZONTAL MULLION



OPERATOR/OPERATOR
VERTICAL/HORIZONTAL REINFORCEMENT MULLION



OPERATOR/NARROW PICTURE (PN)
VERTICAL/HORIZONTAL REINFORCEMENT MULLION

NOTE: REINFORCEMENT IS INSTALLED
WHEN STRUCTURALLY REQUIRED