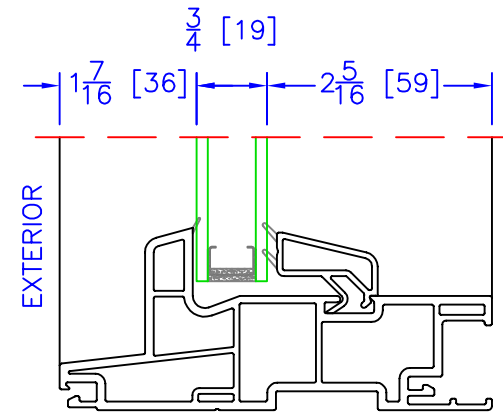
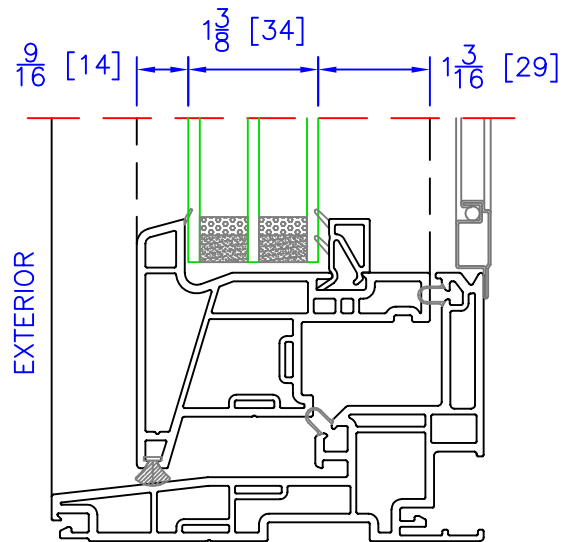


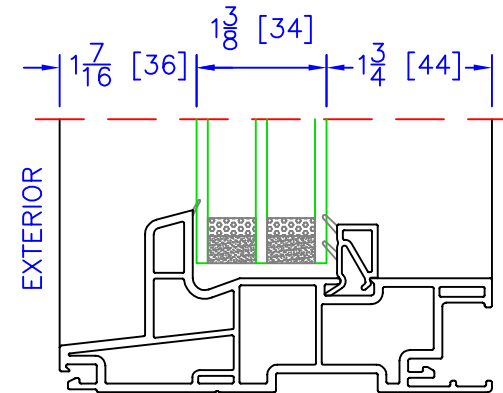
OPERATOR DUAL GLAZING
OPTION ($\frac{3}{4}$ " OA)



NARROW PICTURE (PN) DUAL
GLAZING OPTION ($\frac{3}{4}$ " OA)



OPERATOR TRIPLE GLAZING
OPTION ($1\frac{3}{8}$ " OA)



NARROW PICTURE (PN) TRIPLE
GLAZING OPTION ($1\frac{3}{8}$ " OA)