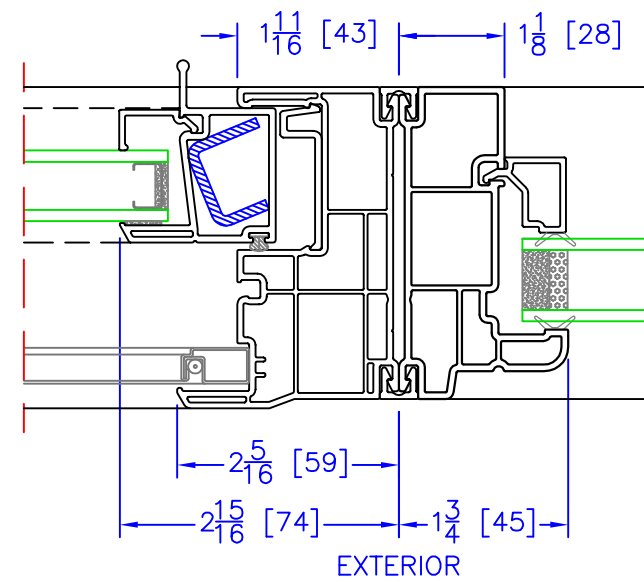
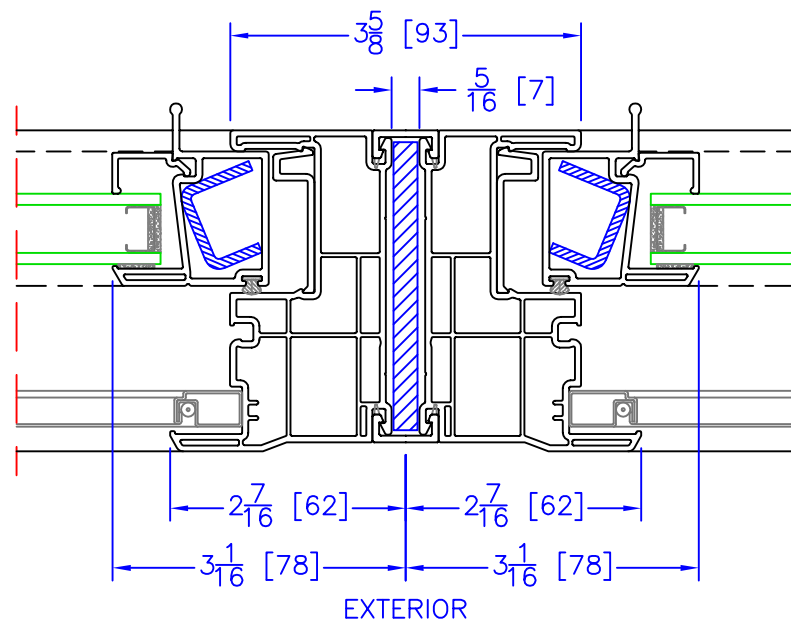


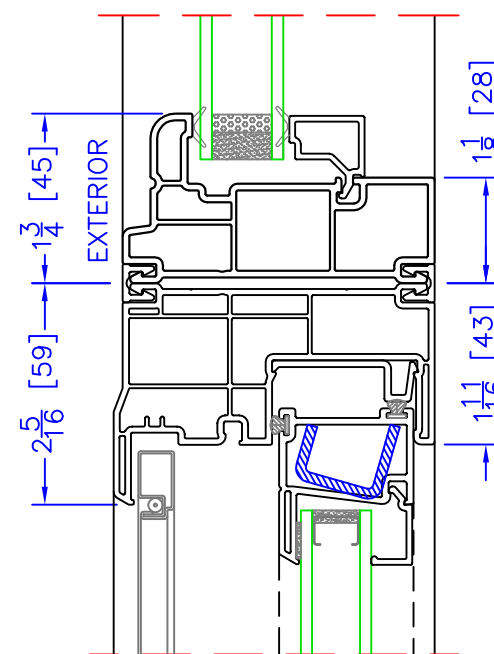
OPERATOR/OPERATOR
VERTICAL MULLION



OPERATOR/NARROW PICTURE (PN)
VERTICAL MULLION



OPERATOR/OPERATOR
VERTICAL REINFORCEMENT MULLION



NARROW PICTURE (PN)/OPERATOR
HORIZONTAL MULLION

NOTE: REINFORCEMENT IS INSTALLED
WHEN STRUCTURALLY REQUIRED