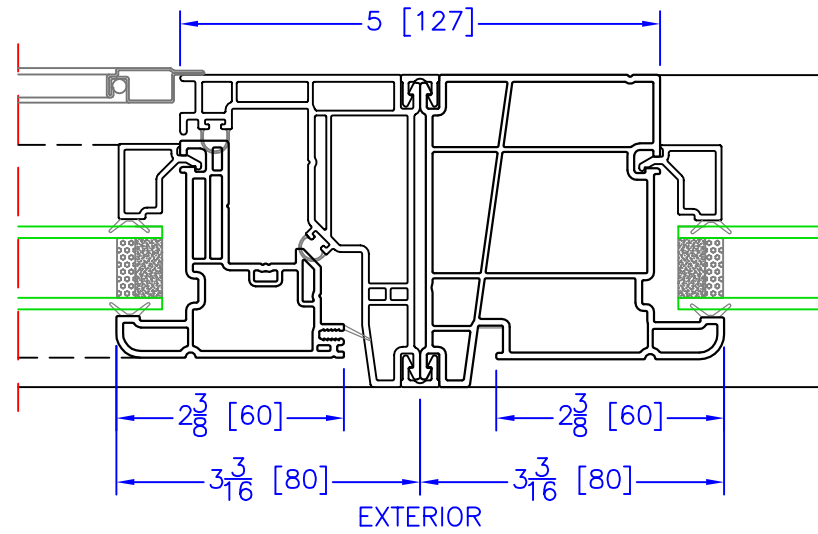
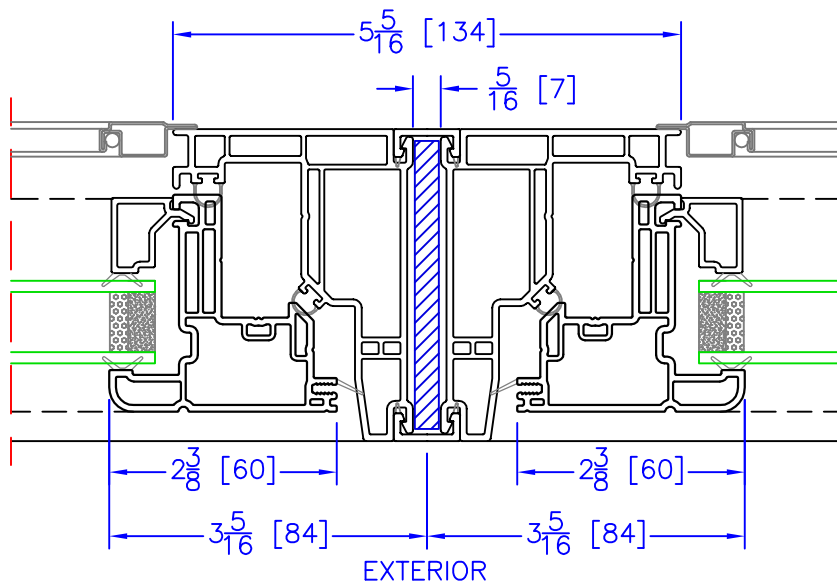


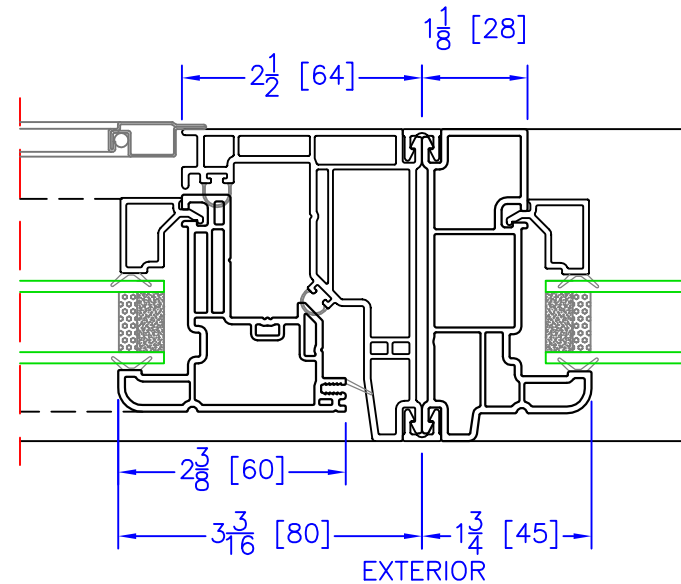
OPERATOR/OPERATOR  
VERTICAL/HORIZONTAL MULLION



OPERATOR/WIDE PICTURE (PW)  
VERTICAL/HORIZONTAL MULLION



OPERATOR/OPERATOR  
VERTICAL/HORIZONTAL REINFORCEMENT MULLION



OPERATOR/NARROW PICTURE (PN)  
VERTICAL/HORIZONTAL MULLION

**NOTE:** REINFORCEMENT  
IS INSTALLED WHEN  
STRUCTURALLY REQUIRED