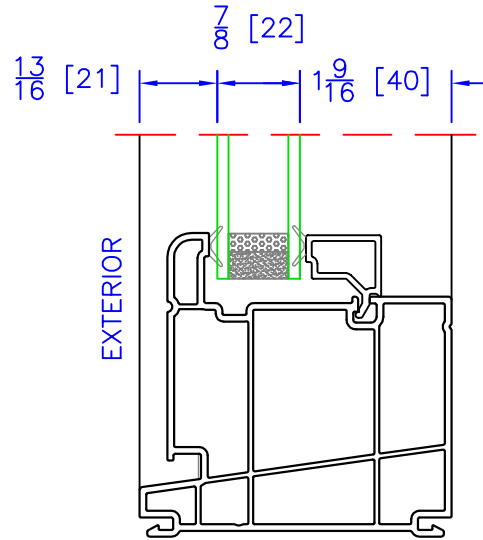
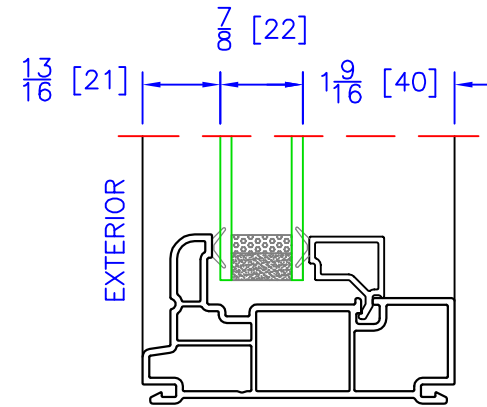


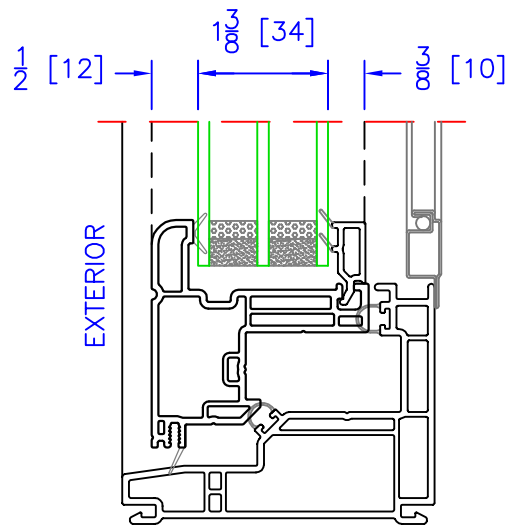
OPERATOR DUAL
GLAZING OPTION ($\frac{7}{8}$ " OA)



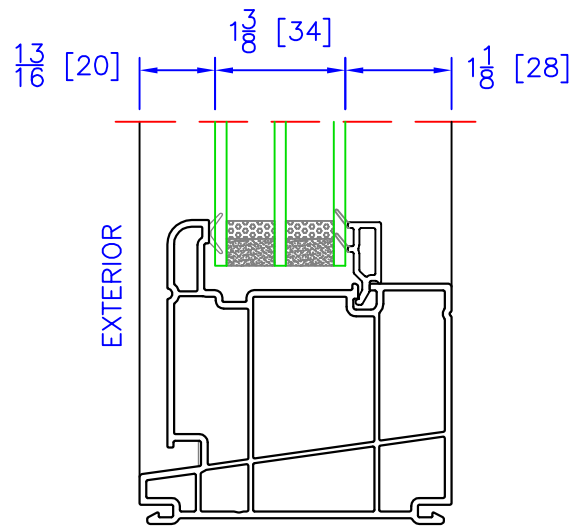
WIDE PICTURE (PW) DUAL
GLAZING OPTION ($\frac{7}{8}$ " OA)



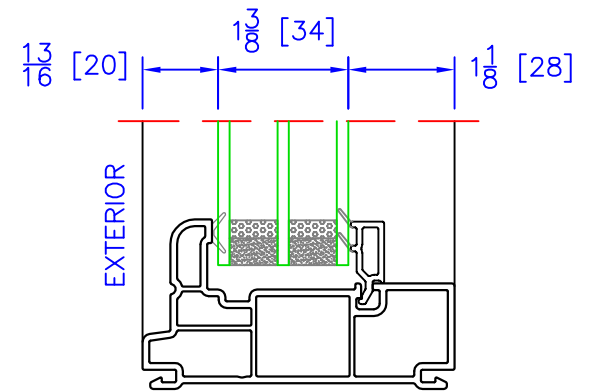
NARROW PICTURE (PN) DUAL
GLAZING OPTION ($\frac{7}{8}$ " OA)



OPERATOR TRIPLE
GLAZING OPTION ($1\frac{3}{8}$ " OA)



WIDE PICTURE (PW) TRIPLE
GLAZING OPTION ($1\frac{3}{8}$ " OA)



NARROW PICTURE (PN) TRIPLE
GLAZING OPTION ($1\frac{3}{8}$ " OA)