

RECOMMENDED RSO = FRAME HT + 1 1/2"
 FRAME WT + 3/4"

HARDWARE TRACK SUPPORT;
 MUST BE FULL LENGTH OF TRACK;
 SUPPORT HEIGHT = 15/16" MINUS FLOORING DEPTH;
 HARDWARE TRACK SUPPORT IS THE RESPONSIBILITY OF
 THE INSTALLER TO PROVIDE AND APPLY.

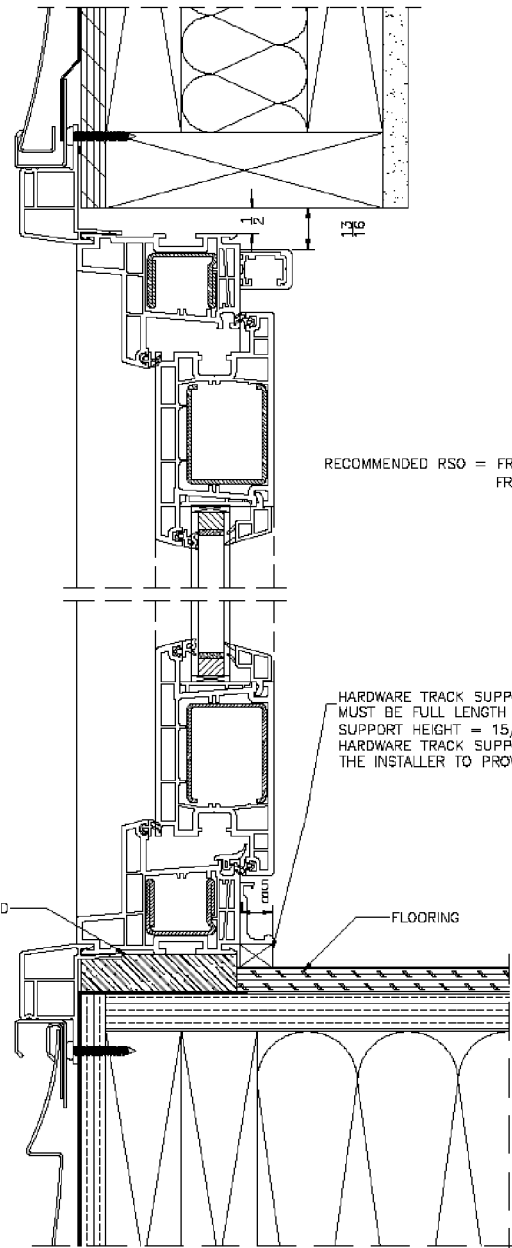
FACTORY APPLIED

FLOORING



Title: SUPREME TILT & SLIDE DOOR
 RSO & INSTALLATION CONFIGURATION

INSTALLATION	Drawn By: JEFF A.
Filename: X_TILT_SLIDE	Date: JUNE 20/12
Scale: N/A	Units: Inches
	Revised:



RECOMMENDED RSO = FRAME HT + 1 1/2"
 FRAME WT + 3/4"

HARDWARE TRACK SUPPORT;
 MUST BE FULL LENGTH OF TRACK;
 SUPPORT HEIGHT = 15/16" MINUS FLOORING DEPTH;
 HARDWARE TRACK SUPPORT IS THE RESPONSIBILITY OF
 THE INSTALLER TO PROVIDE AND APPLY.

FACTORY APPLIED

FLOORING



Title: SUPREME TILT & SLIDE DOOR
 RSO & INSTALLATION CONFIGURATION

INSTALLATION	Drawn By: JEFF A.
Filename: X_TILT_SLIDE	Date: JUNE 20/12
Scale: N/A	Units: Inches
	Revised: