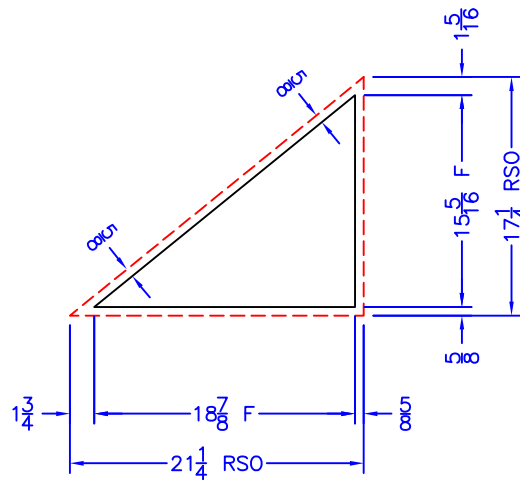
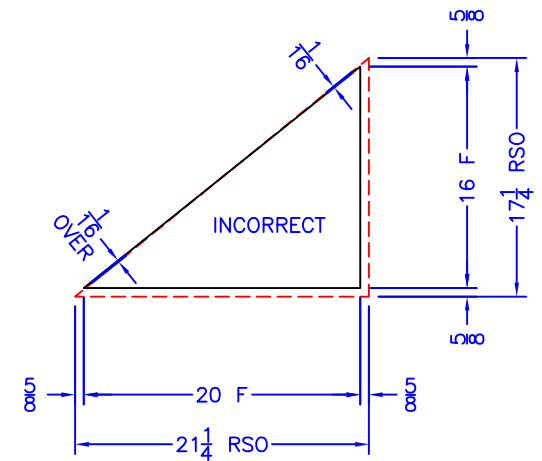


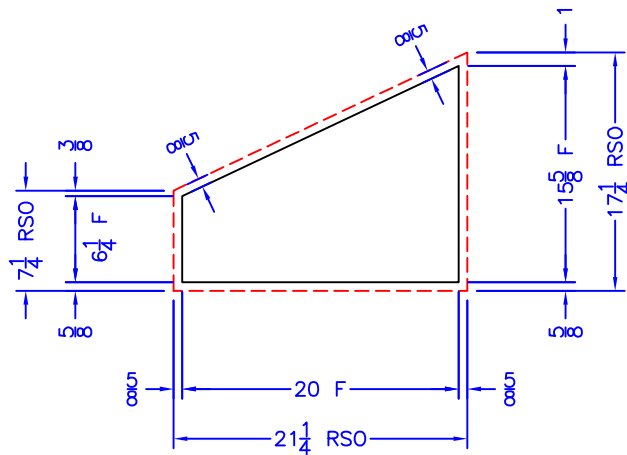
RECTANGLE WINDOW  
 $\frac{5}{8}$ " OFFSET ALL 4 SIDES  
 $\frac{1}{4}$ " DIFFERENCE OA



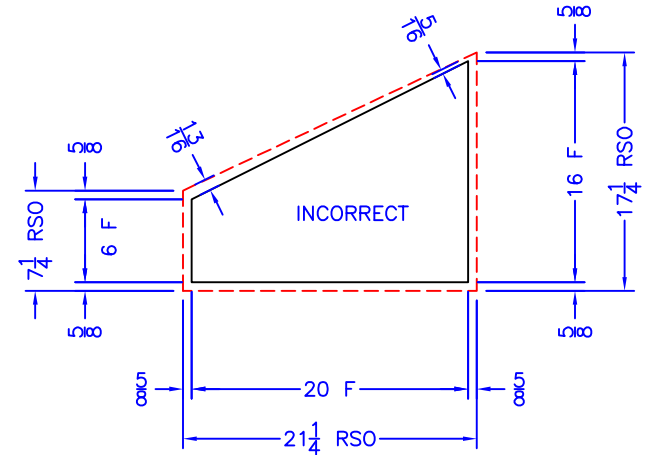
RIGHT TRIANGLE  
 $\frac{5}{8}$ " OFFSET ALL 3 SIDES  
 DIFFERENCE BETWEEN FRAME & RSO ISN'T  $\frac{1}{4}$ "  
 DIFFERENCE VARIES BASED ON ROOF PITCH



RIGHT TRIANGLE  
 $\frac{1}{4}$ " DIFFERENCE OA  
 DOESN'T ALLOW PROPER SPACING FOR SLOPE



TRAPEZOID  
 $\frac{5}{8}$ " OFFSET ALL 4 SIDES  
 WIDTH:  $\frac{1}{4}$ " DIFFERENCE OA  
 HEIGHT & SHORT LEG: DIFFERENCE BETWEEN  
 FRAME & RSO ISN'T  $\frac{1}{4}$ "  
 DIFFERENCE VARIES BASED ON ROOF PITCH



TRAPEZOID  
 $\frac{1}{4}$ " DIFFERENCE OA (WIDTH, HEIGHT, & SHORT LEG)  
 DOESN'T ALLOW PROPER SPACING FOR SLOPE

F = FRAME

RSO = RECOMMENDED STUD OPENING